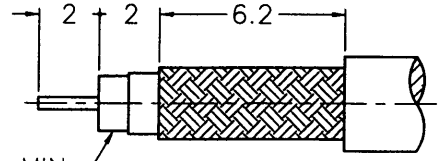
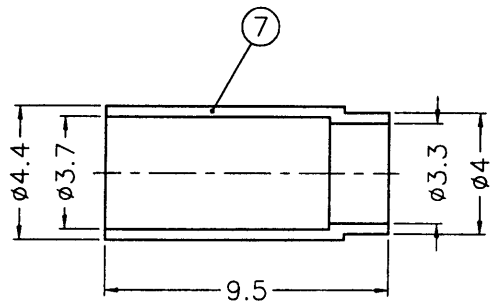
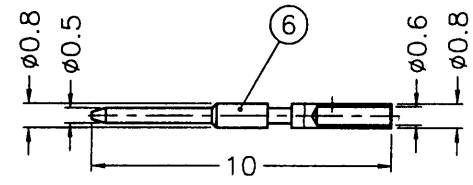
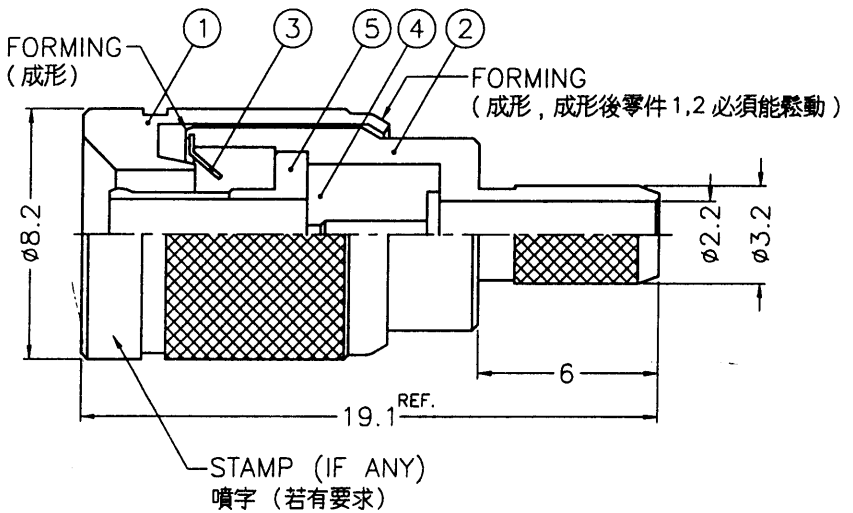


REVISIONS		
ISS	ZONE	DESCRIPTION\PER REQUEST\DATE



REMOVE FOIL 1mm MIN.
(去除箔襯 1mm 以上)

RECOMMENDED
CABLE STRIPPING DIM'S
(建議剝線尺寸)



- NOTES: FINISH (PLATING THICKNESS IN MICRO-INCHES)
- BRASS PER QQ-B-626
 - BERYLLIUM COPPER PER QQ-C-530
 - NICKEL PL. 100 MIN. THICK OVER COPPER STRIKE
 - GOLD PL. 3 MIN. THICK OVER NICKEL PL. 100 MIN. THICK OVER COPPER STRIKE
 - TEFLON MIL-P-19468

- CRIMPED FERRULE
HEX CRIMP SIZE .151"
- CONTACT PIN TO SOLDER

NO.	DESCRIPTION	MATERIAL	FINISH	Q'TY	DRAWING NO.
7	FERRULE	NOTE 1	NOTE 3	1	FR-44/37-4/33X95
6	CONTACT PIN	NOTE 1	NOTE 4	1	1231121D2-6-08/06
5	OUT CONTACT	NOTE 2	NOTE 4	1	1231121D1-6-B
4	INSULATOR	NOTE 5	NATURAL	1	1231121D2-4T-75
3	SPRING	NOTE 2	NATURAL	1	123-PLUG-SPR
2	BODY	NOTE 1	NOTE 3	1	BD00ABD04A
1	SHELL	NOTE 1	NOTE 3	1	1231121D2-1

DIMENSIONS ARE IN MILLIMETERS
UNLESS OTHERWISE SPECIFIED TOLERANCES

0.5-6 = ±0.2
6-30 = ±0.4
30-120 = ±0.6
120-315 = ±1
315-1000 = ±1.6
1000-2000 = ±2.4

PART NO.	
APPROVED	Andy.C 03-04-03'
CHECKED	Andy.C 03-04-03'
DRAWN	foycl.Y 03-04-03'
FILE NO.	F:\DWG\123\1111D3\001\75\N3GT3G

Amphenol	
Danbury,CT,USA-Tainan,Taiwan-Shenzhen,China	
TITLE	1.0/2.3 CRIMP PLUG
DRAWING NO.	1231111D3-001-N/3GT3G-75
ITEM NO.	101111AAHA1NF7F

A

A