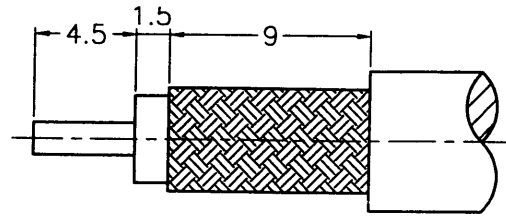


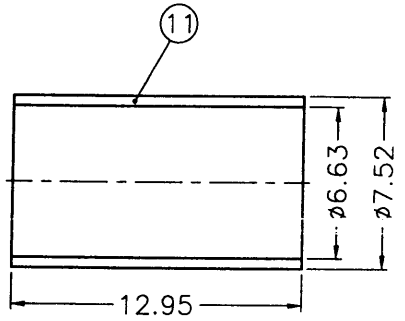
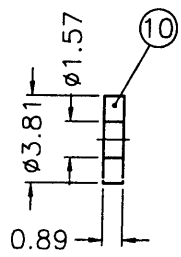
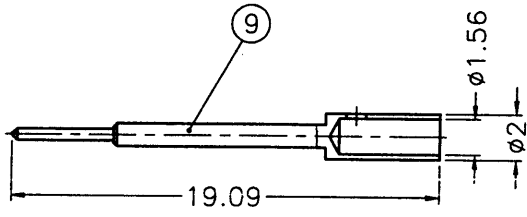
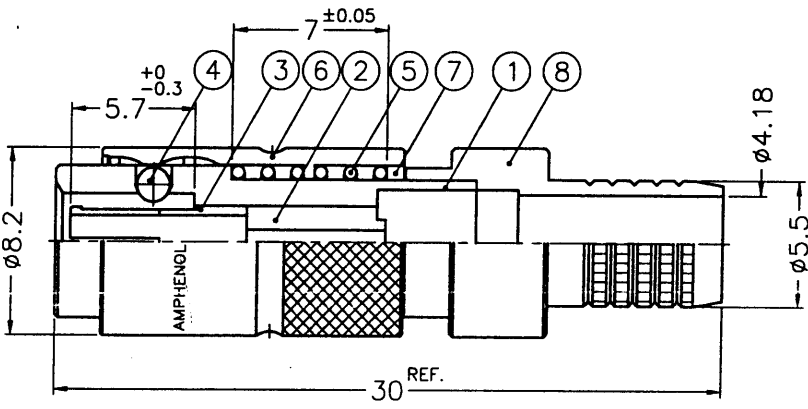
REVISIONS			
ISS	ZONE	DESCRIPTION\PER REQUEST	DATE

- INNER CONTACT TO SOLDER (內導體使用焊接)
- FERRULE CRIMPING TOOLS P/N(套管壓著工具)
SX 660 0056 HEX: 6.48 L=7.62
- CONNECTOR ACCORDING TO NFC 93-571, CECC 22-230
(連接器依據 NFC 93-571, CECC 22-230)
- PACKAGING IN BAG WITH COMMERCIAL PART NUMBER AND DATE CODE
(使用商業產品編號和日期碼袋包裝)

SALES



RECOMMENDED
CABLE STRIPPING DIM'S
(建議剝線尺寸)



- NOTES: FINISH (PLATING THICKNESS IN MICRO-INCHES)
1. BRASS
 2. BERYLLIUM COPPER PER QQ-C-530
 3. NICKEL PL. (52 MIN./100 MAX.) THICK OVER COPPER PL. (140 MIN./200 MAX.) THICK
 4. NICKEL PL. (100 MIN./160 MAX.) THICK OVER COPPER PL. (100 MIN./160 MAX.) THICK
 5. GOLD PL. 5 MIN. THICK OVER NICKEL PL. 100 MIN. THICK OVER COPPER STRIKE
 6. TEFLON MIL-P-19468
 7. NICKEL PL. 100 MIN. THICK OVER COPPER STRIKE

ISSUED
2002.4.17
R&D

NO.	DESCRIPTION	MATERIAL	FINISH	Q'TY	DRAWING NO.
11	FERRULE	COPPER	NATURAL	1	2A-167-07
10	INSULATOR	NOTE 6	NATURAL	1	NS00AAE17A
9	CONTACT PIN	NOTE 1	NOTE 5	1	CP10AAW01A
8	BARREL	NOTE 1	NOTE 7	1	BR00ACP01A
7	RING	NOTE 1	NOTE 4	1	4M-852-01
6	OUTER BODY	NOTE 1	NOTE 4	1	3D-601-03
5	SPRING	STAINLESS STEEL	NATURAL	2	4M-170-02
4	BALL	STAINLESS STEEL	NATURAL	3	4M-169-01
3	OUT CONTACT	NOTE 2	NOTE 5	1	TC10AAC01A
2	INSULATOR	NOTE 6	NATURAL	1	NS00ARL01A
1	BODY	NOTE 1	NOTE 7	1	BD10AAN01A

DIMENSIONS ARE IN MILLIMETERS				PART NO.	
UNLESS OTHERWISE SPECIFIED TOLERANCES				APPROVED	DATE
0.5-6	= ±0.2	30-120	= ±0.6	<i>Andy C</i>	04-15-02'
120-315	= ±1	315-1000	= ±1.6	<i>Andy C</i>	04-i5-02'
1000-2000	= ±2.4			<i>Joyce Y</i>	04-15-02'
SCALE	3/1	ISSUE	A3	FILE NO.	F:\DWG\123\1121L1\002\50\N5GT5G

Amphenol - Kai Jack	
TAINAN TAIWAN	
TITLE	1.0/2.3 PUSH-PULL CRIMP PLUG (FOR LMR 240, TWB 2401 CABLE)
DRAWING NO.	KJ-1231121L1-002-N/5GT5G-50
ITEM NO.	101111AAKA1LD5F