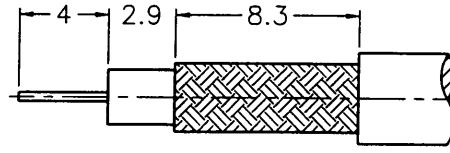


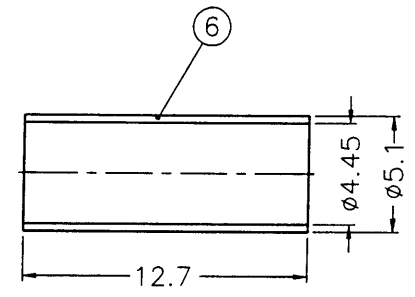
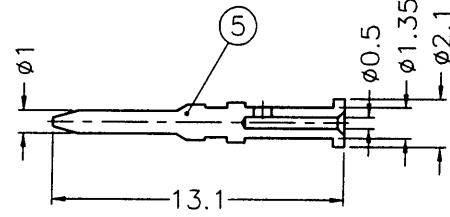
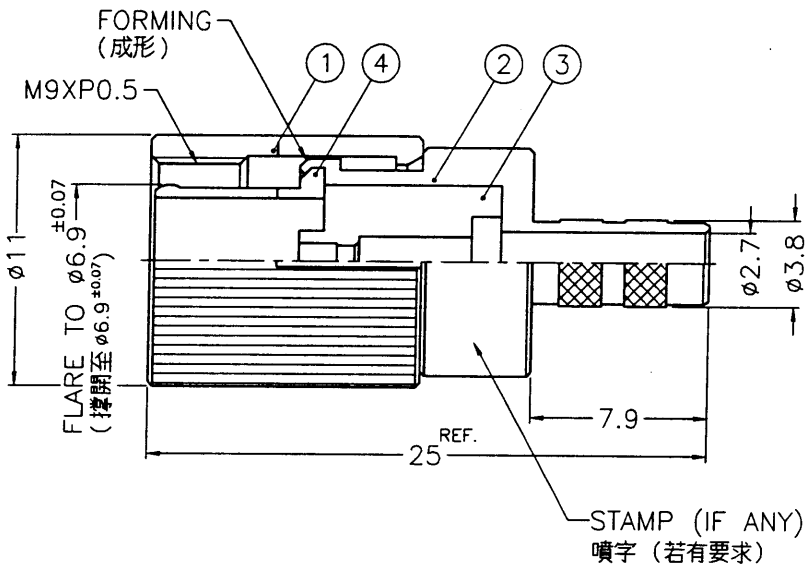
1 2 3 4 5 6 7 8

REVISIONS		
ISS	ZONE	DESCRIPTION\PER REQUEST\DATE

**SALES**



RECOMMENDED  
CABLE STRIPPING DIM'S  
(建議剝線尺寸)



ISSUED  
2001. 6. 28  
R & D

- 1. CRIMPED FERRULE  
HEX CRIMP SIZE .178"
- 2. CRIMPED CONTACT PIN  
SQ. CRIMP SIZE .043"

- NOTES: FINISH (PLATING THICKNESS IN MICRO-INCHES)
1. BRASS PER QQ-B-626
  2. NICKEL PL. 100 MIN. THICK OVER COPPER STRIKE
  3. PHOSPHOR BRONZE PER QQ-B-750
  4. GOLD PL. 3 MIN. THICK OVER NICKEL PL. 100 MIN. THICK OVER COPPER STRIKE
  5. TEFLON MIL-P-19468
  6. JIS H 3250, C 2700

STAMP (IF ANY)  
噴字 (若有要求)

NO.	DESCRIPTION	MATERIAL	FINISH	Q'TY	DRAWING NO.
6	FERRULE	NOTE 6	NOTE 2	1	FR-51/445X127
5	CONTACT PIN	NOTE 1	NOTE 4	1	1561121A1-5-21/05-B
4	OUT CONTACT	NOTE 3	NOTE 4	1	1561121G1-2
3	INSULATOR	NOTE 5	NATURAL	1	1561121A1-3T-75
2	BODY	NOTE 1	NOTE 2	1	1561121A1-2-38/27
1	SHELL	NOTE 1	NOTE 2	1	1561121G1-1-B

DIMENSIONS ARE IN MILLIMETERS  
UNLESS OTHERWISE SPECIFIED TOLERANCES

0.5-6 = ±0.2  
6-30 = ±0.4  
30-120 = ±0.6  
120-315 = ±1  
315-1000 = ±1.6  
1000-2000 = ±2.4

PART NO.	
APPROVED	DATE
CHECKED	DATE
DRAWN	DATE

<b>Amphenol - Kai Jack</b> TAINAN TAIWAN	
TITLE 1.6/5.6 CRIMP PLUG (FOR 2.5C2V CABLE)	
DRAWING NO. KJ-1561121A1-N/3GT3G-2.5C2V-75	
FILE NO. F:\DWG\156\1121A1\25C2V-75\N3GT3G	

F  
E  
D  
C  
B  
A

F  
E  
D  
C  
B  
A

1 2 3 4 5 6 7 8 RD8DR12399