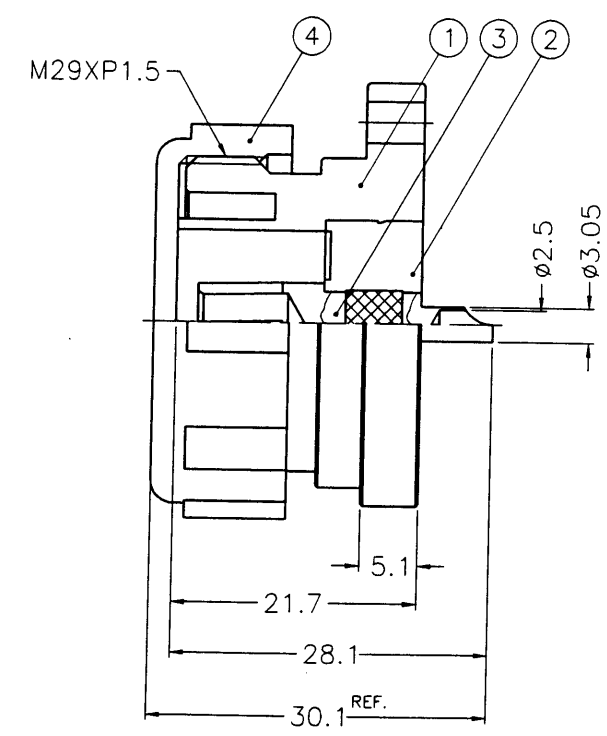
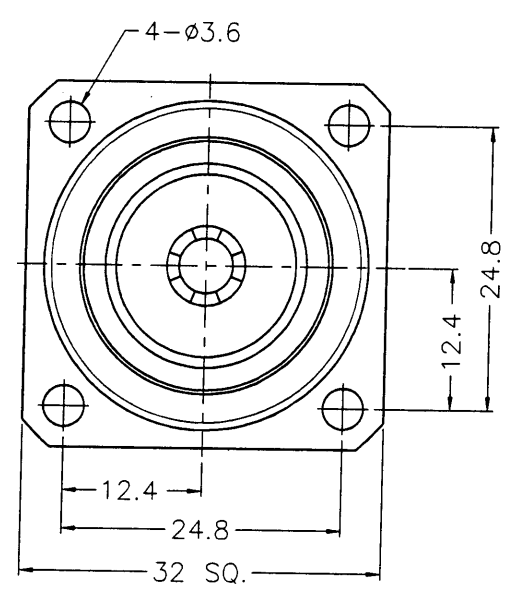


1 2 3 4 5 6 7 8

REVISIONS		
ISS	ZONE	DESCRIPTION\PER REQUEST\DATE

業務部



- NOTES: FINISH (PLATING THICKNESS IN MICRO-INCHES)
1. BRASS PER QQ-B-626
 2. SILVER PL. 120 MIN. THICK OVER COPPER STRIKE
 3. BERYLLIUM COPPER PER QQ-C-530
 4. SILVER PL. 200 MIN. THICK OVER COPPER STRIKE
 5. TEFLON MIL-P-19468
 6. BLUE, PER PANTONE 3005C

中圖
88.2.22
K&D

DIMENSIONS ARE IN MILLIMETERS			
UNLESS OTHERWISE SPECIFIED TOLERANCES			
0.5-6	=	±0.2	
6-30	=	±0.4	
30-120	=	±0.6	
120-315	=	±1	
315-1000	=	±1.6	
1000-2000	=	±2.4	

PART NO.	
APPROVED	<i>Golden</i> DATE 02-05-99'
CHECKED	<i>Golden</i> DATE 02-05-99'
DRAWN	<i>Keli</i> DATE 02-05-99'

<p>KAI JACK INDUSTRIAL CO., LTD. TAINAN TAIWAN R.O.C.</p>	TITLE	7/16 PANEL RECEPTACLE JACK
	DRAWING NO.	KJ-7166551A1-120STS-50
	FILE NO.	F:\DWG\716\6551A1\120STS

NO.	DESCRIPTION	MATERIAL	FINISH	Q'TY	DRAWING NO.
4	COVER	PE	NOTE 6	1	7166141A1-9
3	CONTACT PIN	NOTE 3	NOTE 4	1	7166551A1-3
2	INSULATOR	NOTE 5	NATURAL	1	7166551A1-2T-50
1	BODY	NOTE 1	NOTE 2	1	7166551A1-1

A

1 2 3 4 5 6 7 8

8/16/2000