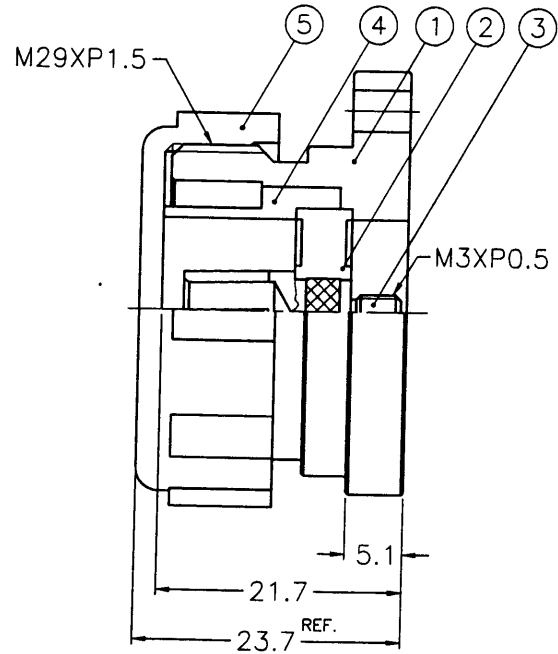
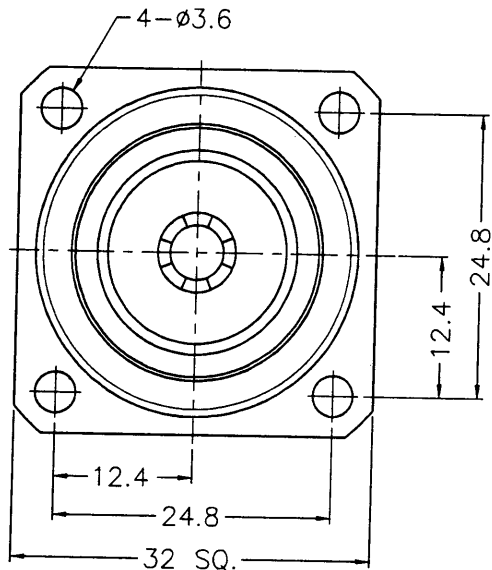
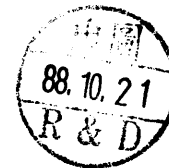


業務部



NOTES: FINISH (PLATING THICKNESS IN MICRO-INCHES)

1. BRASS PER QQ-B-626
2. SILVER PL. 120 MIN. THICK OVER COPPER STRIKE
3. BERYLLIUM COPPER PER QQ-C-530
4. SILVER PL. 200 MIN. THICK OVER COPPER STRIKE
5. TEFLON MIL-P-19468
6. BLUE, PER PANTONE 3005C



DIMENSIONS ARE IN MILLIMETERS	
UNLESS OTHERWISE SPECIFIED TOLERANCES	
0.5-6	= ±0.2
6-30	= ±0.4
30-120	= ±0.6
120-315	= ±1
315-1000	= ±1.6
1000-2000	= ±2.4

NO.	DESCRIPTION	MATERIAL	FINISH	Q'TY	DRAWING NO.
5	COVER	PE	NONE	1	7166141A1-9
4	OUT CONTACT	NOTE 1	NONE	1	7166551B1-4
3	CONTACT PIN	NOTE 3	NONE	1	7166551B1-3
2	INSULATOR	NOTE 5	NATURAL	1	7166551B1-2T-50
1	BODY	NOTE 1	NONE	1	7166551B1-1

PART NO.	
APPROVED	DATE
CHECKED	DATE
DRAWN	DATE

<b>Amphenol - Kai Jack</b>	
TAINAN TAIWAN	
TITLE 7/16 PANEL RECEPTACLE JACK WITH THREADED STUD M3	
DRAWING NO. KJ-7166551B1-120STS-50	
FILE NO. F:\DWG\716\6551B1\120STS	

8/16/99