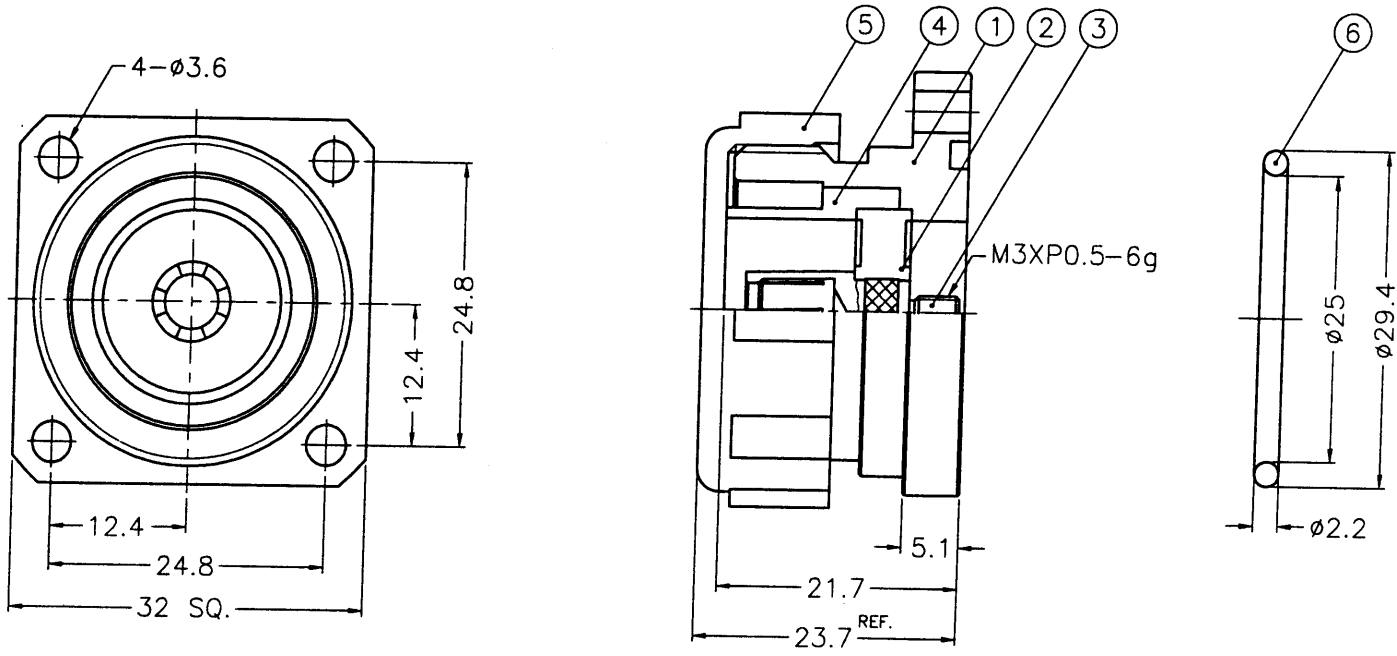


1 2 3 4 5 6 7 8

REVISIONS		
ISS	ZONE	DESCRIPTION\PER REQUEST\DATE
B	A-1	NO.3 WAS CHANGED\RD-DM90070301Y\07-03-01'

SALES



NOTES: FINISH (PLATING THICKNESS IN MICRO-INCHES)
 1. BRASS PER QQ-B-626
 2. ALBALOY PLATING (COPPER-TIN-ZINC)
 3. BERYLLIUM COPPER PER QQ-C-530
 4. SILVER PL. 200 MIN. THICK OVER COPPER STRIKE
 5. TEFLON MIL-P-19468
 6. BLUE, PER PANTONE 3005C

ISSUED
 2001.12.07
 R&D

DIMENSIONS ARE IN MILLIMETERS					PART NO.	
6	GASKET	N.B.R.	BLACK	1	GS-294/25XD22	UNLESS OTHERWISE SPECIFIED TOLERANCES 0.5-6 = ±0.2 6-30 = ±0.4 30-120 = ±0.6 120-315 = ±1 315-1000 = ±1.6 1000-2000 = ±2.4
5	COVER	PE	NOTE 6	1	7166141A1-9	
4	OUT CONTACT	NOTE 1	NOTE 2	1	7166551B1-4	APPROVED <i>Mark</i> DATE 12-06-01'
3	CONTACT PIN	NOTE 3	NOTE 4	1	7166551B1-3-B	CHECKED <i>ganckey</i> DATE 12-06-01'
2	INSULATOR	NOTE 5	NATURAL	1	7166551B1-2T-50	DRAWN <i>Ken</i> DATE 12-06-01'
1	BODY	NOTE 1	NOTE 2	1	7166551E2-1	FILE NO. F:\DWG\716\6551B4\50\NNTS
NO.	DESCRIPTION	MATERIAL	FINISH	Q'TY	DRAWING NO.	SCALE 1.5/1 ISSUE B

Amphenol - Kai Jack

TAINAN TAIWAN

TITLE 7/16 PANEL RECEPTACLE JACK WITH THREADED STUD M3

DRAWING NO. KJ-7166551B4-N/NTS-50

ITEM NO. 076551AAE11AB5F

1 2 3 4 5 6 7 8 RDBDR13350