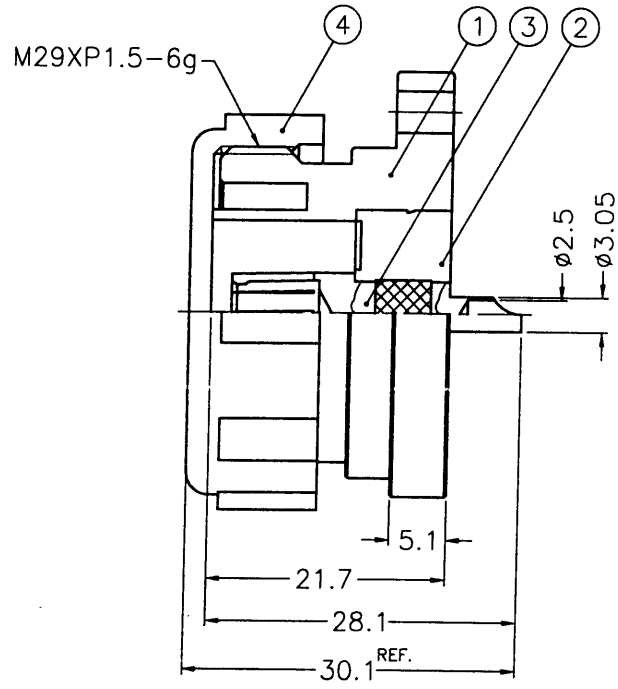
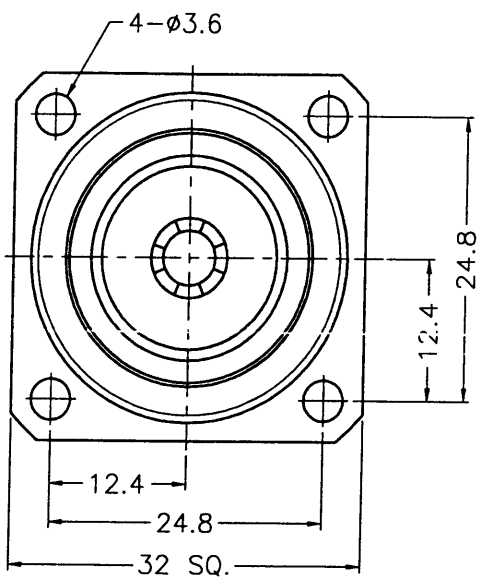


1 2 3 4 5 6 7 8

REVISIONS			
ISS	ZONE	DESCRIPTION\PER REQUEST\DATE	
B	A-1	NO.3 WAS CHANGED\RD-DM90070301Y\07-03-01'	
	A-7	KJ-7166551A1-ATS-50 WAS KJ-7166551A1-N/NTS-50\N/A\02-21-02'	

**SALES**



ISSUED  
2002. 2. 26  
R&D

NOTES: FINISH (PLATING THICKNESS IN MICRO-INCHES)

- 1. BRASS PER QQ-B-626
- 2. ALBALOY PLATING (COPPER-TIN-ZINC) PL. 80 MIN. THICK
- 3. BERYLLIUM COPPER PER QQ-C-530
- 4. SILVER PL. 200 MIN. THICK OVER COPPER STRIKE
- 5. TEFLON MIL-P-1946B
- 6. BLUE, PER PANTONE 3005C

4	COVER	PE	NOTE 6	1	7166141A1-9
3	CONTACT PIN	NOTE 3	NOTE 4	1	7166551A1-3-B
2	INSULATOR	NOTE 5	NATURAL	1	7166551A1-2T-50
1	BODY	NOTE 1	NOTE 2	1	7166551A1-1
NO.	DESCRIPTION	MATERIAL	FINISH	Q'TY	DRAWING NO.

DIMENSIONS ARE IN MILLIMETERS				PART NO.	
UNLESS OTHERWISE SPECIFIED TOLERANCES				APPROVED	DATE
				0.5-6 = ±0.2	
6-30 = ±0.4		CHECKED	DATE		
30-120 = ±0.6		<i>Andy C</i>		02-21-02'	
120-315 = ±1		DRAWN	DATE		
315-1000 = ±1.6		<i>Joyce Y</i>		02-21-02'	
1000-2000 = ±2.4					
SCALE	1.5/1	ISSUE	B	FILE NO.	F:\DWG\7166551A1\50\ATS

Amphenol - Kai Jack	
TAINAN TAIWAN	
TITLE	7/16 PANEL RECEPTACLE JACK
DRAWING NO.	KJ-7166551A1-ATS-50
ITEM NO.	076551AAH01AB5F

7 RD-DR 13882 R