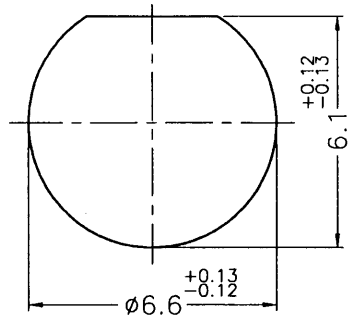


1 2 3 4 5 6 7 8

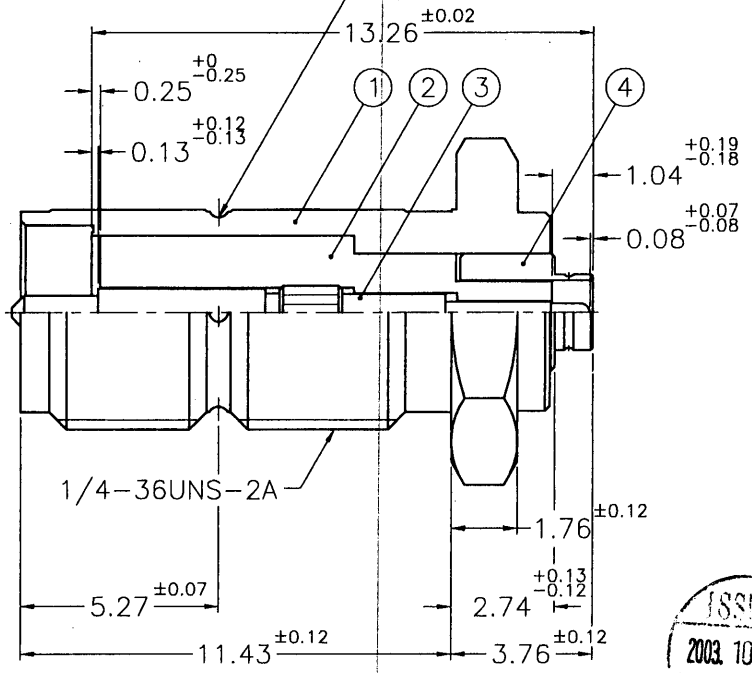
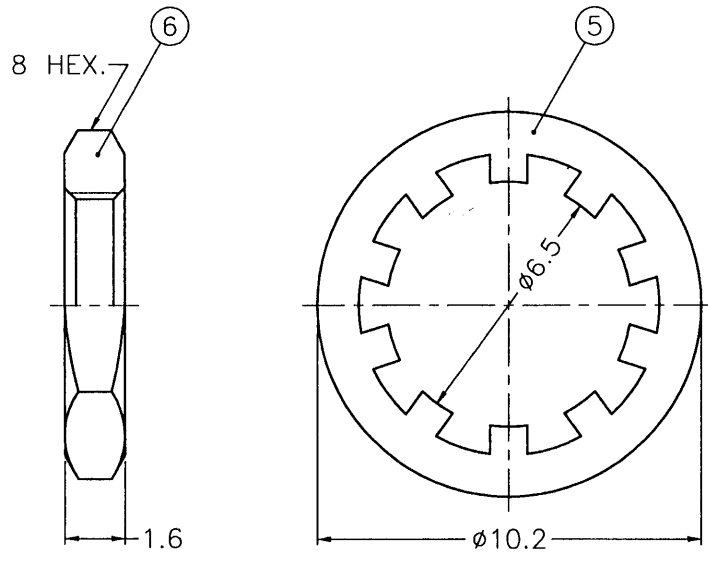
REVISIONS		
ISS	ZONE	DESCRIPTION\PER REQUEST\DATE

SALES



RECOMMENDED MOUNTING HOLE
(建議架設孔)

STAKE IN 4 PLACES
EQUALLY SPACED 90° APART
(打四點 間隔 90°)



ISSUED
2003. 10. 31
R&D

1. MAX. PANEL THICKNESS=3.18mm

NOTES: FINISH (PLATING THICKNESS IN MICRO-INCHES)
 1. BRASS PER QQ-B-626
 2. BRASS PER QQ-B-613
 3. GOLD PL. 3 MIN. THICK OVER NICKEL PL. 100 MIN. THICK OVER COPPER STRIKE
 4. GOLD PL. 30 MIN. THICK OVER NICKEL PL. 80 MIN. THICK OVER COPPER PL. 20 MIN. THICK
 5. TEFLON MIL-P-19468

DIMENSIONS ARE IN MILLIMETERS						PART NO.		Amphenol Danbury, CT, USA - Tainan, Taiwan - Shenzhen, China TITLE SMA REVERSE POLARITY BULKHEAD TO U.FL PLUG ADAPTER DRAWING NO. 901-10097 ITEM NO. 901-10097			
UNLESS OTHERWISE SPECIFIED TOLERANCES						APPROVED	DATE			10-28-03'	
0.5-6 = ±0.2						CHECKED	DATE			10-28-03'	
6-30 = ±0.4						DRAWN	DATE			10-28-03'	
6	HEX NUT	NOTE 1	NOTE 3	1	HNB-1/4-36X16	UNLESS OTHERWISE SPECIFIED TOLERANCES		FILE NO. F:\DWG\CNPD\901\10097\00			
5	LOCK WASHER	NOTE 2	NOTE 3	1	LW-102/65X05	0.5-6 = ±0.2		SCALE 5/1 ISSUE A1			
4	BODY	NOTE 1	NOTE 3	1	31-13133	6-30 = ±0.4					
3	CONTACT PIN	NOTE 1	NOTE 4	1	901-7259	30-120 = ±0.6					
2	INSULATOR	NOTE 5	NATURAL	1	901-7258	120-315 = ±1					
1	BODY	NOTE 1	NOTE 3	1	901-7257	315-1000 = ±1.6					
						1000-2000 = ±2.4					

7RDR 19658

F
E
D
C
B
A

F
E
D
C
B
A