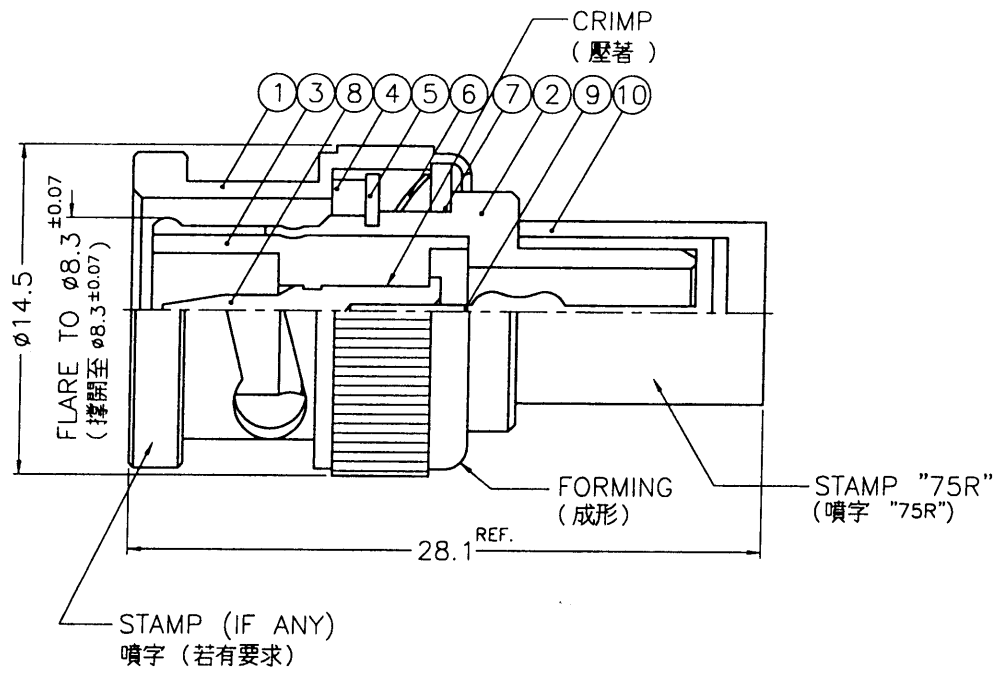


1 2 3 4 5 6 7 8

REVISIONS		
ISS	ZONE	DESCRIPTION\PER REQUEST\DATE

SALES



NOTES: FINISH (PLATING THICKNESS IN MICRO-INCHES)
 1. BRASS PER QQ-B-626
 2. BRASS PER QQ-B-613
 3. NICKEL PL. 100 MIN. THICK OVER COPPER STRIKE
 4. NICKEL PL. 200 MIN. THICK OVER COPPER STRIKE
 5. GOLD PL. 3 MIN. THICK OVER NICKEL PL. 100 MIN. THICK OVER COPPER STRIKE
 6. SUPPLIED BY CUSTOMER (由客戶提供)

ISSUED
 2003. 7. 07
 R&D

10	COVER	NOTE 1	NOTE 3	1	B5209-10
9	RESISTOR	75R	NOTE 6	1	RS00AAH01A
8	CONTACT PIN	NOTE 1	NOTE 5	1	B1004A1-8-3/07WS
7	WASHER	NOTE 2	NOTE 3	1	WS-128/9X08
6	SPRING	SK5	NOTE 4	1	B50000-6
5	RETAINER RING	NOTE 1	NOTE 3	1	B50000-5
4	GASKET	RUBBER	RED	1	GS-115/8X15
3	INSULATOR	DELTRIN	NATURAL	1	B50000-3-50-A
2	BODY	NOTE 1	NOTE 3	1	B50000-2-56/39
1	SHELL	NOTE 1	NOTE 3	1	B50000-1-B
NO.	DESCRIPTION	MATERIAL	FINISH	Q'TY	DRAWING NO.

DIMENSIONS ARE IN MILLIMETERS				PART NO.	
UNLESS OTHERWISE SPECIFIED TOLERANCES				APPROVED	DATE
0.5-6	= ±0.2			<i>Andy C</i>	07-03-03'
6-30	= ±0.4			CHECKED	DATE
30-120	= ±0.6			<i>Karl J</i>	07-03-03'
120-315	= ±1			DRAWN	DATE
315-1000	= ±1.6			<i>Angela W</i>	07-03-03'
1000-2000	= ±2.4			FILE NO.	F:\DWG\B\1004A1\001\75\ND3G

Amphenol	
Danbury,CT,USA-Tainan,Taiwan-Shenzhen,China	
TITLE BNC TERMINATOR PLUG	
DRAWING NO. B1004A1-001-ND3G-75	
ITEM NO. 011004ABG00ND7F	

7RD-DR. 180378

1 2 3 4 5 6