

1 2 3 4 5 6 7 8

REVISIONS		
ISS	ZONE	DESCRIPTION\PER REQUEST\DATE

F

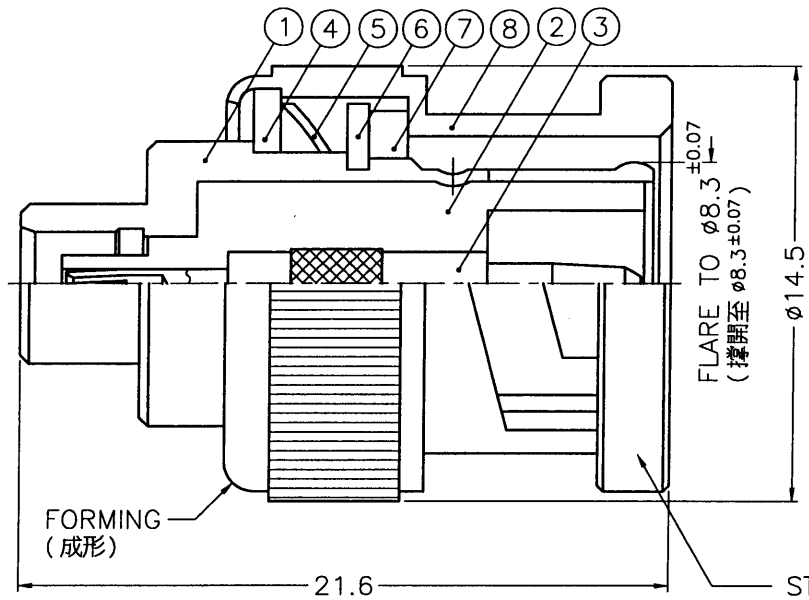
E

D

C

B

A



STAMP (IF ANY)
噴字 (若有要求)

NOTES: FINISH (PLATING THICKNESS IN MICRO-INCHES)
 1. BRASS PER QQ-B-626
 2. BERYLLIUM COPPER PER QQ-C-530
 3. BRASS PER QQ-B-613
 4. NICKEL PL. 100 MIN. THICK OVER COPPER STRIKE
 5. NICKEL PL. 200 MIN. THICK OVER COPPER STRIKE
 6. GOLD PL. 30 MIN. THICK OVER NICKEL PL. 100 MIN. THICK OVER COPPER STRIKE
 7. TEFLON MIL-P-19468



NO.	DESCRIPTION	MATERIAL	FINISH	Q'TY	DRAWING NO.
8	SHELL	NOTE 1	NOTE 4	1	B50000-1-B
7	GASKET	RUBBER	RED	1	GS-115/BX15
6	RETAINER RING	NOTE 1	NOTE 4	1	B50000-5
5	SPRING	SK5	NOTE 5	1	B50000-6
4	WASHER	NOTE 3	NOTE 4	1	WS-128/9X08
3	CONTACT PIN	NOTE 2	NOTE 6	1	CP00-----
2	INSULATOR	NOTE 7	NATURAL	1	NS00-----
1	BODY	NOTE 1	NOTE 4	1	BD00-----

DIMENSIONS ARE IN MILLIMETERS			
UNLESS OTHERWISE SPECIFIED TOLERANCES			
0.5-6	=	±0.2	
6-30	=	±0.4	
30-120	=	±0.6	
120-315	=	±1	
315-1000	=	±1.6	
1000-2000	=	±2.4	

PART NO.	
APPROVED	DATE
Cour. W	04-20-04'
CHECKED	DATE
Cour. W	04-20-04'
DRAWN	DATE
ANGELA	04-20-04'
FILE NO.	F:\DWG\BM\MCXF\50\NT30G

Amphenol	
Danbury,CT,USA-Tainan,Taiwan-Shenzhen,China	
TITLE	BNC MALE TO MCX FEMALE ADAPTOR
DRAWING NO.	BM-MCXF-NT30G-50
ITEM NO.	

1 2 3 4 5 6 7 8