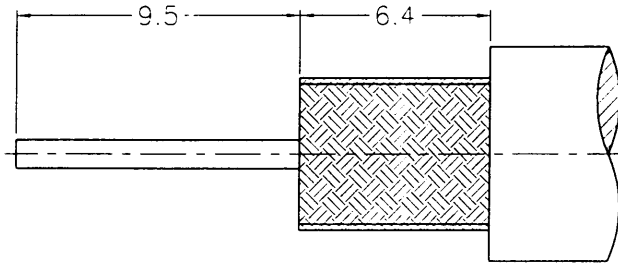


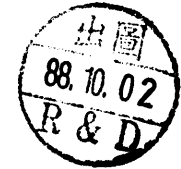
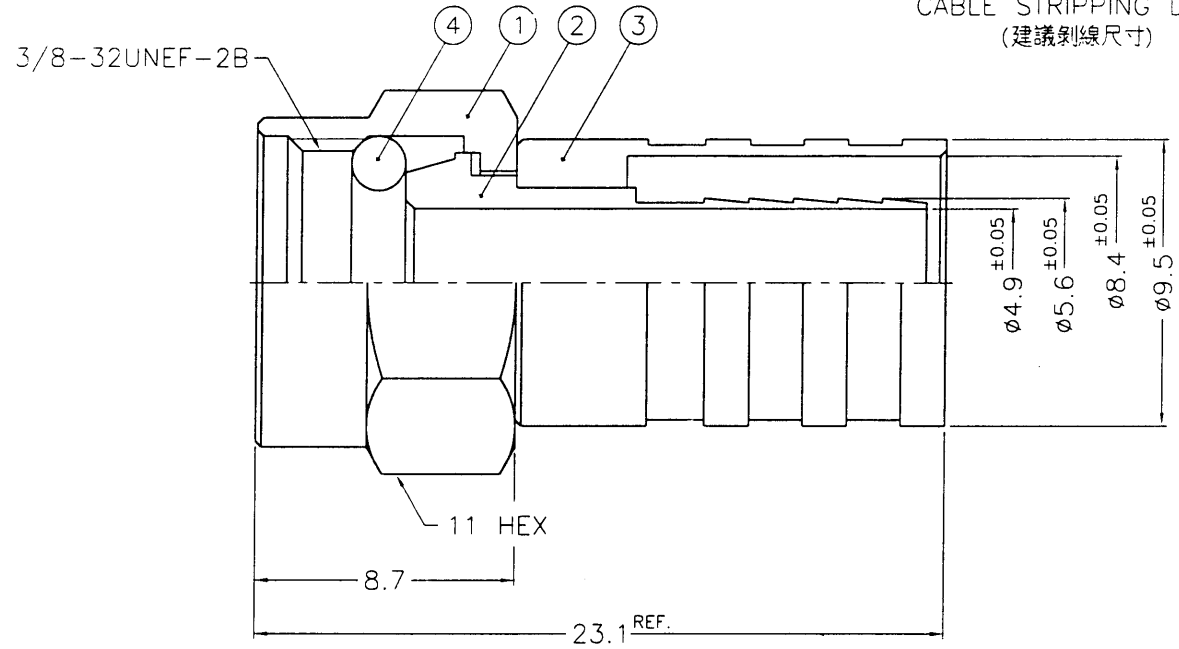
1 2 3 4 5 6 7 8

REVISIONS		
ISS	ZONE	DESCRIPTION\PER REQUEST\DATE
A1	E-5	DELETED STAMP 6 POINTS\N/A\09-30-99'

業務部



RECOMMENDED  
CABLE STRIPPING DIM'S  
(建議剝線尺寸)



1. CRIMPED FERRULE  
HEX CRIMP SIZE .324"

NOTES: FINISH (PLATING THICKNESS IN MICRO-INCHES)  
1. BRASS PER QQ-B-626  
2. NICKEL PL. 100 MIN. THICK OVER COPPER STRIKE  
3. JIS H 3250, C 3501

DIMENSIONS ARE IN MILLIMETERS	
UNLESS OTHERWISE SPECIFIED TOLERANCES	
0.5-6	= ±0.2
6-30	= ±0.4
30-120	= ±0.6
120-315	= ±1
315-1000	= ±1.6
1000-2000	= ±2.4

PART NO.	
APPROVED	DATE
CHECKED	DATE
DRAWN	DATE

<b>Amphenol - Kai Jack</b>	
TAINAN TAIWAN	
TITLE	
DRAWING NO.	
FILE NO.	

NO.	DESCRIPTION	MATERIAL	FINISH	Q'TY	DRAWING NO.
4	GASKET	SILICONE	BLACK	1	GS-101/65XD18
3	FERRULE	NOTE 3	NOTE 2	1	F1111M1-3-95/84
2	BARREL	NOTE 1	NOTE 2	1	F1111M1-2-56/49
1	SHELL	NOTE 1	NOTE 2	1	F1111M1-1

*Mark C*  
*Loose W*  
*Betty L*

8F20703

F  
E  
D  
C  
B  
A

F  
E  
D  
C  
B  
A

1 2 3 4 5 6 7 8