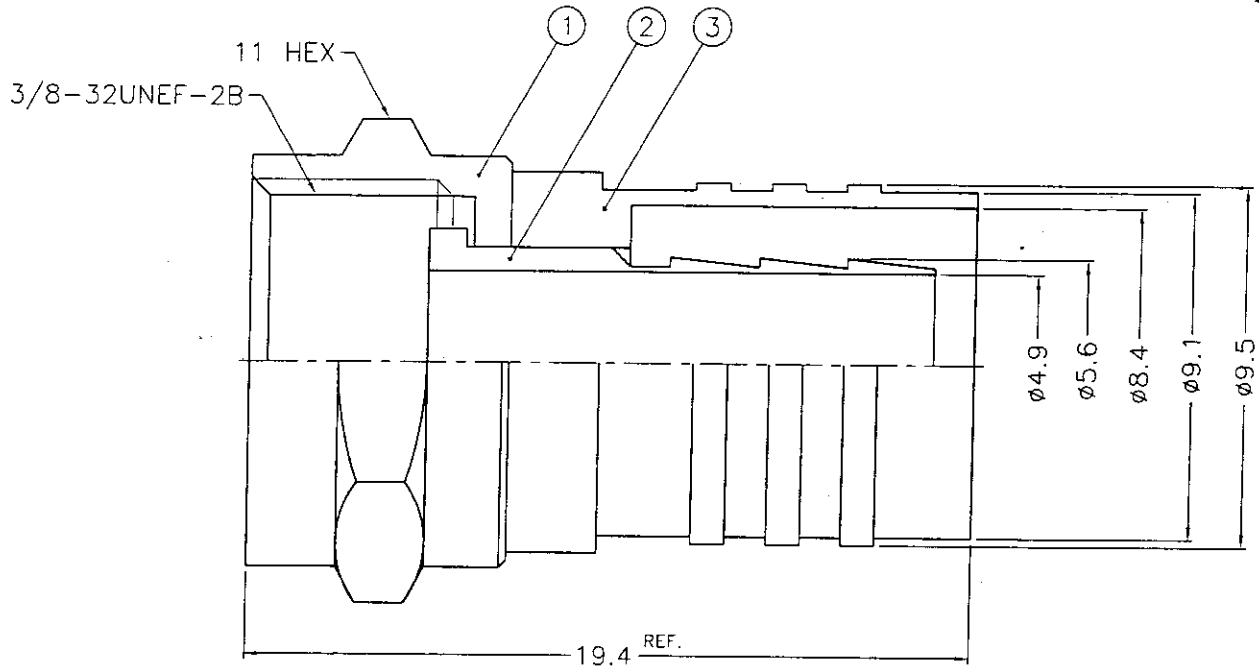



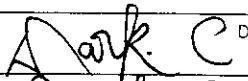
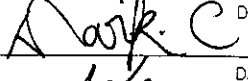

1 2 3 4 5 6 7 8

| REVISIONS |      |                                  |
|-----------|------|----------------------------------|
| ISS       | ZONE | DESCRIPTION \ PER REQUEST \ DATE |
|           |      |                                  |

業務部



NOTES: FINISH (PLATING THICKNESS IN MICRO-INCHES)  
 1. BRASS PER QQ-B-626  
 2. NICKEL PL. 80 MIN. THICK OVER COPPER STRIKE

|                                       |             |          |        |   |             |  |                             |       |   |
|---------------------------------------|-------------|----------|--------|---|-------------|--|-----------------------------|-------|---|
| DIMENSIONS ARE IN MILLIMETERS         |             |          |        | PART NO. 222118   |             |  <b>KAI JACK INDUSTRIAL CO., LTD.</b><br>TAINAN TAIWAN R.O.C. |                             |       |   |
| UNLESS OTHERWISE SPECIFIED TOLERANCES |             |          |        | APPROVED  | DATE        | TITLE  |                             |       |   |
| 0.5-6 = ±0.2                          |             |          |        |  | 06-01-99'   | F PLUG CF TYPE   |                             |       |   |
| 6-30 = ±0.4                           |             |          |        |   | CHECKED     | DATE   | DRAWING NO.                 |       |   |
| 30-120 = ±0.6                         |             |          |        |  | 06-01-99'   | KJ-F5002-N-6U  |                             |       |   |
| 120-315 = ±1                          |             |          |        |   | DRAWN       | DATE   | FILE NO. F:\DWG\F\5002\6U\N |       |   |
| 315-1000 = ±1.6                       |             |          |        |  | 06-01-99'   | L-1188F  |                             |       |   |
| 1000-2000 = ±2.4                      |             |          |        |   |             |  |                             |       |   |
| NO.                                   | DESCRIPTION | MATERIAL | FINISH | Q'TY  | DRAWING NO. | SCALE  | 5/1                         | ISSUE | A |

|   |         |        |        |   |  |
|---|---------|--------|--------|---|--|
| 3 | HOUSING | NOTE 1 | NOTE 2 | 1 |  |
| 2 | BODY    | NOTE 1 | NOTE 2 | 1 |  |
| 1 | SHELL   | NOTE 1 | NOTE 2 | 1 |  |

A

A

F  
E  
D  
C  
B

F  
E  
D  
C  
B  
A

1 2 3 4 5 6 7 8



**Underwriters Laboratories Inc.®**

KAI JACK INDUSTRIAL CO LTD  
MS L SHEU  
110 BAO-AN RD, SEC 1  
REN-DER SHIANG  
TAINAN HSIEN TAIWAN

**RE: Project Number(s) - 02NKK09264**

Your most recent Certification is shown below. You may also view this information, or a portion of this information (depending on the product category), on UL's Online Certifications Directory at [www.ul.com/database](http://www.ul.com/database). Please review the text and contact the Conformity Assessment Services staff member who handled your project if revisions are required. For instructions on placing an order for this information in a 3 x 5-inch format, you may refer to the enclosed order form for UL Card Service.

**DUXR**

**Communication Circuit Accessories**

July 12, 2002

**KAI JACK INDUSTRIAL CO LTD  
110 BAO-AN RD, SEC 1 REN-DER SHIANG, TAINAN  
HSIEN TAIWAN**

**E161813**

Coaxial connectors, BNC Series, Cat. No. B followed by 1004A1, 1005A1, 1111K1, 1121A1, -1C1, -1EI, -2A1, -2C1, 1131A1, -2A1, 1141A1, -1C1, -1EI, -1FI, 2071A1, 5072A1, 6121A1, -1C1, -1EI, 6131A1, 6141A1, -1GI, 6251C1, -1FI, -1GI, -2HI, 6252H6, -HB, 6351B1, -1B2, -1B3, 6421A1, -1A2, -1C1, -1C2, -1EI, 6521A1, -1C1, -1EI, 6551A1, 6651B1, 6721B1, -1FI, 7071A1, 7471A1, -1A2, -1B1, 7771B1, 8073A1, -3C1, BNC Series, Cat. No. NBR followed by 31-10XXX.

Cat. No. BNC Panel Jack - B6551E1-001.

Cat. No. BNC Reverse-RB followed by -1121A1, -6121A1, -6351B1, -6421E1.

F Series connectors, Part Nos. 222113, 222113-1I, 222117, 222118, 222131, 222142.

MINI UHF Series, Cat. No. MU followed by 1121A1, 6121A1, 6451B1, 6551A1.

Cat. No. MCX Series, Cat. No. MCX followed by 1121A1, 1121A1, 1182A1, 6121A1, 6251A1, 6251B1, 6251B3, 6252B1, 6421A1.

Cat. No. MCX Reverse-RMCX followed by -1121A1, -6421A1.

Cat. No. MMCX Series, Cat. No. MMCX followed by 1112A1, 1112D2, 1121A1, 1251N1, 1251S1, 1181A1, 1182A1, 6121A1, 6252N1, 6421A1.

Cat. No. N followed by 1004A1, 1005A1, 1112B1, 1121A1, -1A2, 1131A1, 1141A1, -1A2, 1151A1, -1C1, 2071A1, 6004A1, 6121A1, -1A2,

6141A1, -1A2, 6551A1, -1EI, 7071A1.

Cat. No. N Reverse-RN followed by -1121A1.

Cat. No. SMA\* followed by 1111A1, -1G1, -2A1, -2A2, 1141C1, -1C2, -2C1, 1181A1, -1K1, -2A1, 1251A1, -2A1, 1551A1, -1B1, -1C1, -1D1,

-1EI, -1FI, 2071A1, 5071A1, -2A1, 6111A1, -1G1, 6141C1, -1C2, 6181A1, 6251A1, -2A1, 6351B1, -1B9, 6411A1, -1G1, 6441C1, -1C2, 6451A1, -1B1,

6481A1, 6511A1, 6541C2, 6551A1, -1B1, -1C1, -1D1, -1EI, -1FI, 6581A1, -1B1, 7071A1, 7471B1.

Cat. No. SMA Reverse-RSMA followed by -1111A1, 111G2, 1112A5, 125100, -6252A2, 6411A2, 6411G2, 6581B1, 87081401.

Cat. No. SMB\* followed by 1121G1, 1141E1, 1251A1, -A4, B1, -1B2, -2B1, 1351B1, -1B9, 1421G1, 1441E1, 1451B1, 1551A1, -1B1, 6112A1,

6121G1, 6141E1, -2EI, 6251B1, -2B1.

Cat. No. SMB Reverse-RSMB followed by -6112D1, -6121A1.

Cat. No. SSMB followed by -1421A1, -6121A1, 6112A1.

Cat. No. SMC followed by 1121C1, 1141E1, 1251B1, -1B2, -2B1, 1351B1, 1451B1, 1551A1, -1B1, 6112A1, 6121G1, 6141E1, -2EI, 6251B1, -2B1.

TNC Series, Cat. No. T followed by 1005A1, 1111K1, 1121A1, -1EI, 1122A1, -2C1, 1131A1, -2A1, 1141A1, -1C1, -1GI, -2EI, 1351B1, 5072A1,

6121A1, -1C1, -1EI, 6131A1, 6141A1, -1GI, 6251G1, -2HI, 6351B1, -1B2, -1B3, 6421A1, -1A2, -1C1, -1C2, -1EI, 6521A1, -1C1, -1EI, 6551A1,

-6651B1, 6721B1, -1D1, -1FI, 7071A1, 7471A1, -1A2, -1B1, 7771B1, 8073A1, 9073A1.

TWIN Series, Cat. No. TWX followed by 1141A1, -1K1, 6141A1, 6351B1, 7071A1, 7471B1, 8073A1, 9073A1; Cat. No. TWB followed by

1111K1, 6351B1.

Cat. No. TNC Reverse-RT followed by -1121A4, -6121A1, -6421A1, 6521D1, 655A1.

UHF Series, Cat. No. U followed by 1005A1, 1121A1, 1161A1, 1181C1, -1C2.

Cat. No. 1.6/5.6-156 followed by -659, -711, -770, -899, -929, -931, -335, -657.

Cat. No. 1.0/7.3-102 followed by -811, -913, -246, -247, -513, -692, -799.

\*Denotes low voltage data communication circuit.

Northbrook, Illinois • (847) 272-8800  
Melville, New York • (631) 271-6200  
Santa Clara, California • (408) 985-2400  
Research Triangle Park  
North Carolina • (919) 549-1400  
Camas, Washington • (360) 817-5500