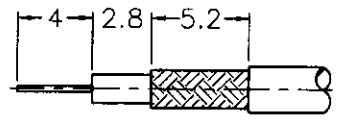
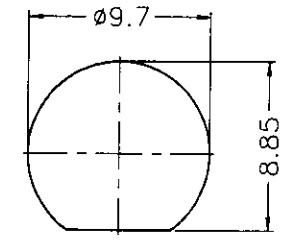


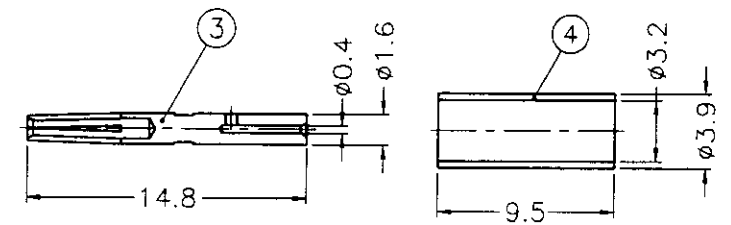
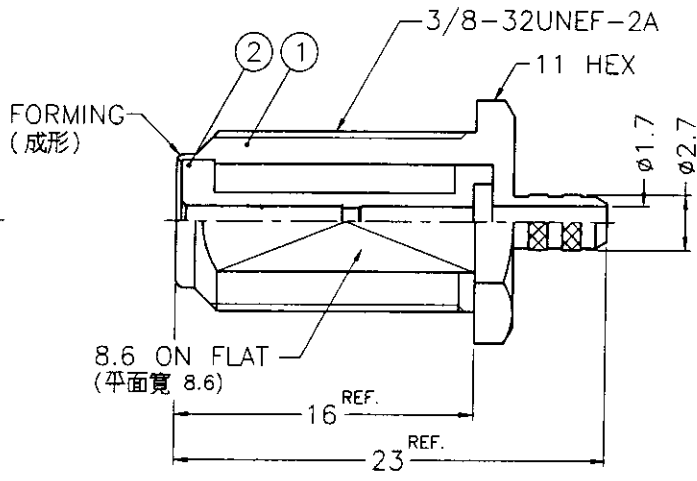
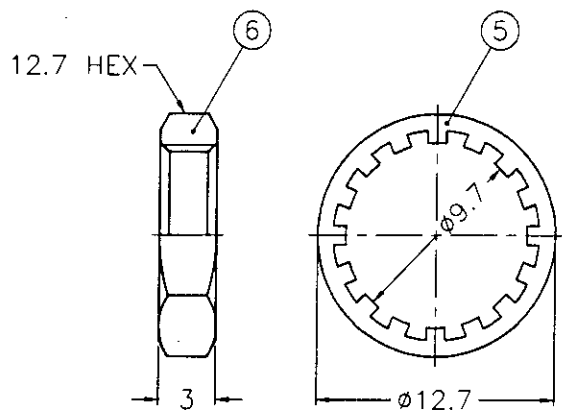
業務部



RECOMMENDED  
CABLE STRIPPING DIM'S  
(建議剝線尺寸)



RECOMMENDED  
MOUNTING HOLE  
(建議架設孔)



ACCEPTS  $\phi 0.75 \sim 0.9$  CENTER CONDUCTOR TYPICAL  
(接受  $\phi 0.75 \sim 0.9$  的中心導針)

- NOTES: FINISH (PLATING THICKNESS IN MICRO-INCHES)
- BRASS PER QQ-B-626
  - BRASS PER QQ-B-613
  - NICKEL PL. 100 MIN. THICK OVER COPPER STRIKE
  - PHOSPHOR BRONZE PER QQ-B-750
  - GOLD PL. 3 MIN. THICK OVER NICKEL PL. 100 MIN. THICK OVER COPPER STRIKE
  - TEFLON MIL-P-19468
  - JIS H 3250, C 2700



- CRIMPED FERRULE  
HEX CRIMP SIZE .128"
- CONTACT PIN TO SOLDER
- MAX. PANEL THICKNESS=10

NO.	DESCRIPTION	MATERIAL	FINISH	Q'TY	DRAWING NO.	SCALE	2.5/1	ISSUE	A	PART NO.	TITLE
6	HEX NUT			1	HN127-3/8-32X3	DIMENSIONS ARE IN MILLIMETERS UNLESS OTHERWISE SPECIFIED TOLERANCES 0.5-6 = $\pm 0.2$ 6-30 = $\pm 0.4$ 30-120 = $\pm 0.6$ 120-315 = $\pm 1$ 315-1000 = $\pm 1.6$ 1000-2000 = $\pm 2.4$				APPROVED <i>A. C.</i> DATE 10-03-00' CHECKED <i>J. C.</i> DATE 10-03-00' DRAWN <i>Joyce</i> DATE 10-03-00'	<b>Amphenol - Kai Jack</b> TAINAN TAIWAN F BULKHEAD CRIMP JACK (FOR RG-179/U, 179A/U, 179B/U, 187A/U) KJ-F6411A3-NT3G-179U-75 F:\DWG\F\6411A3\179U-75\NT3G
5	LOCK WASHER			1	LW-127/97X05						
4	FERRULE			1	FR-39/32X95						
3	CONTACT PIN			1	F6411B3-3-16/04						
2	INSULATOR		NATURAL	1	F6411B3-2						
1	BODY			1	F6411A3-1-27/17						