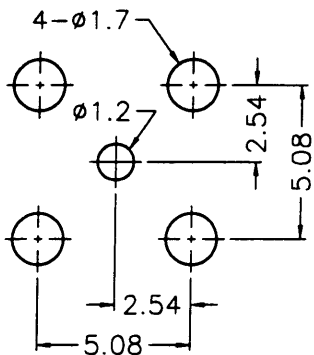
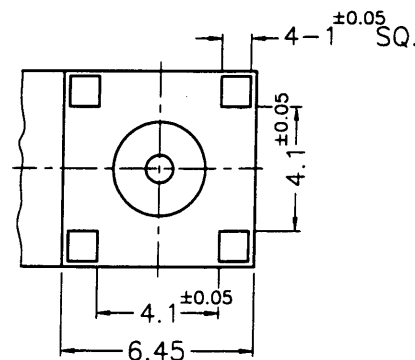


REVISIONS			
ISS	ZONE	DESCRIPTION\PER REQUEST\DATE	
A1	A-3	FKNS00401A AND FKNS00901A WERE FKNS01401A \N/A\05-23-02'	
A2	C-1	ADDED KEY CODING\N/A\06-24-02'	
B	A-3	NO.2 AND PART NO. WERE CHANGED\RD-DM91071502U \07-15-02'	
B1	C-2	PART NO. WAS CHANGED\N/A\10-28-02'	



SALES



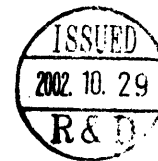
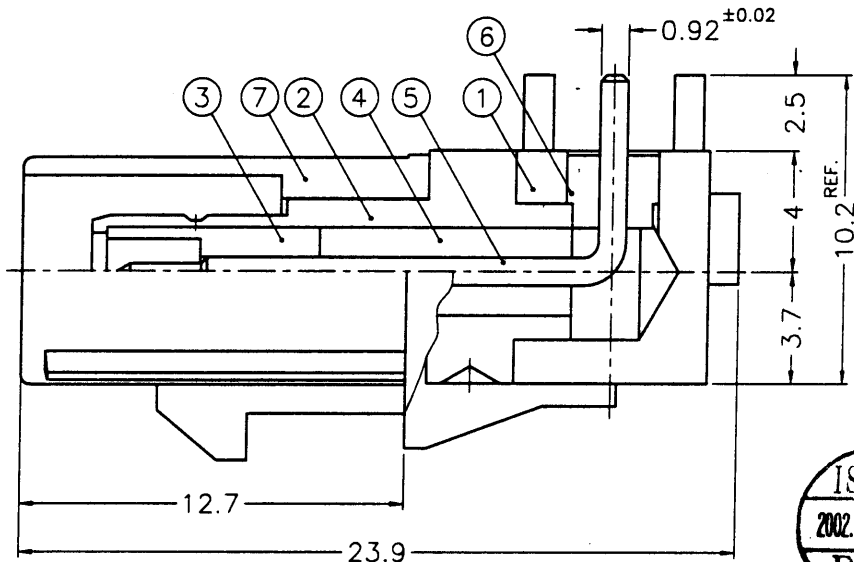
PCB MOUNTING HOLE
(印刷电路板架設孔)

TABLE

KEY CODING	PART NO.	DRAWING NO.	ITEM NO.	LOCK COVER
A	FA1-NARP-PCB-8	FK1252AW-001-3GT30G-50	FK1252AAA02GE5F	FKLC10101B
B	FA1-NBRP-PCB-8	FK1252BW-001-3GT30G-50	FK1252AAB02GE5F	FKLC10102B
C	FA1-NCRP-PCB-8	FK1252CW-001-3GT30G-50	FK1252AAC02GE5F	FKLC10103B
D	FA1-NDRP-PCB-8	FK1252DW-001-3GT30G-50	FK1252AAD02GE5F	FKLC10104B
E	FA1-NERP-PCB-8	FK1252EW-001-3GT30G-50	FK1252AAE02GE5F	FKLC10105B
F	FA1-NFRP-PCB-8	FK1252FW-001-3GT30G-50	FK1252AAF02GE5F	FKLC10106B
G	FA1-NGRP-PCB-8	FK1252GW-001-3GT30G-50	FK1252AAG02GE5F	FKLC10107B
H	FA1-NHRP-PCB-8	FK1252HW-001-3GT30G-50	FK1252AAH02GE5F	FKLC10108B
I	FA1-NIRP-PCB-8	FK1252IW-001-3GT30G-50	FK1252AAI02GE5F	FKLC10109B
K	FA1-NKRP-PCB-8	FK1252KW-001-3GT30G-50	FK1252AAK02GE5F	FKLC10110B
Z	FA1-NZRP-PCB-8	FK1252ZW-001-3GT30G-50	FK1252AAZ02GE5F	FKLC10111B
L	FA1-NLRP-PCB-8	FK1252LW-001-3GT30G-50	FK1252AAL02GE5F	FKLC10112B
M	FA1-NMRP-PCB-8	FK1252MW-001-3GT30G-50	FK1252AAM02GE5F	FKLC10113B

NOTES: FINISH (PLATING THICKNESS IN MICRO-INCHES)

- BRASS PER QQ-B-626, ALLOY 360, 1/2 H
: JIS H3250 C 3604BD OR EQUIVALENT
- GOLD PL. 3 MIN. THICK OVER NICKEL PL. 100 MIN. THICK OVER COPPER STRIKE
- GOLD PL. 30 MIN. THICK OVER NICKEL PL. 100 MIN. THICK OVER COPPER STRIKE
- TEFLON MIL-P-19468
- PBT(WITH 15% GLASS FIBER) PER CHANG CHUN GRADE 4115202 OR EQUIVALENT



DIMENSIONS ARE IN MILLIMETERS					PART NO. FA1-NXRP-PCB-8		Amphenol				
7	LOCK COVER	NOTE 5		1	SEE TABLE	APPROVED	DATE	Danbury,CT,USA-Tainan,Taiwan-Shenzhen,China			
6	INSULATOR	NOTE 4	NATURAL	1	FKNS01501A	<i>Lead</i>	10-28-02'	TITLE			
5	CONTACT PIN	NOTE 1	NOTE 3	1	FKCP01201A	CHECKED	DATE	FAKRA SMB R/A PCB MOUNT PLUG			
4	INSULATOR	NOTE 4	NATURAL	1	FKNS00901A	DRAWN	DATE	DRAWING NO.			
3	INSULATOR	NOTE 4	NATURAL	1	FKNS00401A		10-28-02'	KJ-FK1252XX-001-3GT30G-50			
2	BODY	NOTE 1	NOTE 2	1	FKBD01201B		10-28-02'	ITEM NO.			
1	HOUSING	NOTE 1	NOTE 2	1	FKHS00401A			FK1252AAX02GE5F			
NO.	DESCRIPTION	MATERIAL	FINISH	Q'TY	DRAWING NO.	SCALE	4/1	ISSUE	B1	FILE NO.	F:\DWG\FK\1252XX\001\50\3GT30G-B

7RD-DR 1/8 8