

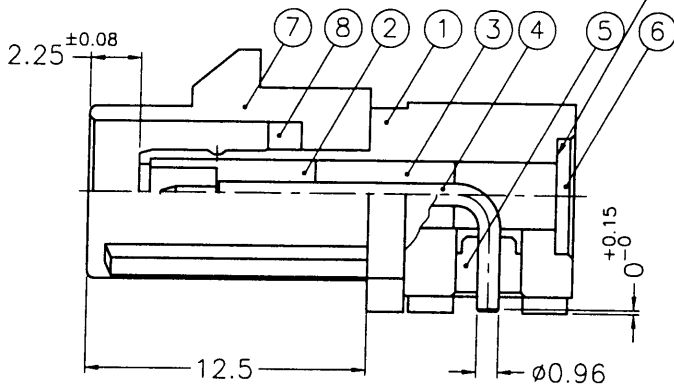
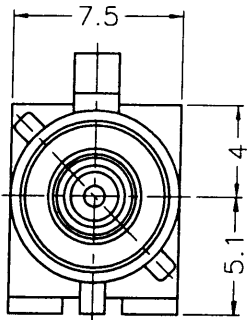
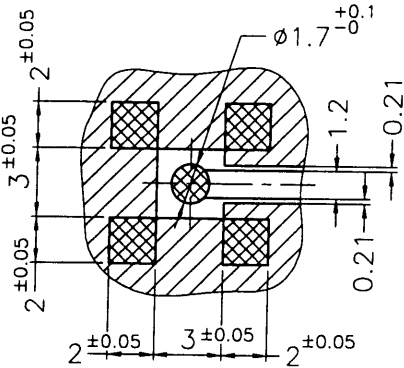


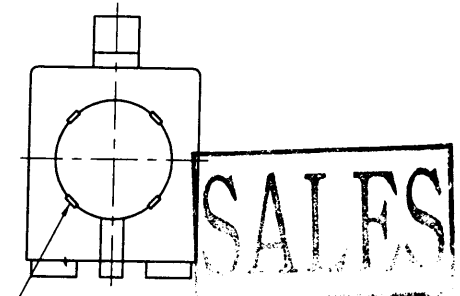
REVISIONS	
DESCRIPTION\PER REQUEST\DATE	
E-7	ADDED STAKE IN 4 PLACES AND ACCOUNT\N/A\ 10-22-03'

REMARK: NO.6 MUST WITHSTAND A 60 lbs. MIN. PUSHOUT FORCE FROM NO.1 AFTER STAKING OPERATION
(打四點後零件6由零件1推出至少必須承受60磅推力)

 PATTERN
 LAND FOR SOLDER PASTE



BOTTOM ITEM 6 INTO ITEM 1 AS SHOWN
(零件6的背部沖到零件1, 如圖所示)



STAKE IN 4 PLACES EQUALLY SPACED 90° APART
(打四點 間隔 90°)

ISSUED
2003. 10. 22
R&D

- NOTES: FINISH (PLATING THICKNESS IN MICRO-INCHES)
- BRASS PER QQ-B-626, ALLOY 360, 1/2 H ; JIS H3250 C 3604BD OR EQUIVALENT
 - NICKEL PL. 60 MIN. THICK OVER COPPER STRIKE
 - GOLD PL. 30 MIN. THICK OVER NICKEL PL. 100 MIN. THICK OVER COPPER STRIKE
 - NICKEL PL. 100 MIN. THICK OVER COPPER PL. 300 MIN. THICK
 - TEFLON MIL-P-19468
 - ZINC DIECAST PER JIS H5301 ZDC2 OR EQUIVALENT
 - NYLON46 (WITH 30% GLASS FIBER)PER DSM ENGINEERING PLASTICS B V GRADE TE250F6 OR EQUIVALENT
 - BRASS PER QQ-B-613, ALLOY 260, H ; JIS H3100 C 2680R-H OR EQUIVALENT

- COPLANAR LINE :
- PATTERN AND SIGNAL ARE ON THE SAME SIDE.
 - THICKNESS OF PCB: 0.063 INCH (1.6MM)
 - THE MATERIAL OF PCB IS EPOXY RESIN OF GLASS FABRIC BASE (R=4.8)
 - THE SOLDER RESIST SHOULD BE PRINTED EXCEPT FOR THE LAND PATTERN ON THE PCB.

* HEATING STAGE: RECOMMEND SOLDERING TEMPERATURE 225°C WITHIN 40 SECONDS.

TABLE

KEY CODING	PART NO.	DRAWING NO.	ITEM NO.	LOCK COVER
A	FA1-NARP-PCB-11	FK1252AW-010-NT30G-50	FK1252AKA02NC5F	FKLC90101A
B	FA1-NBRP-PCB-11	FK1252BW-010-NT30G-50	FK1252AKB02NC5F	FKLC90102A
C	FA1-NCRP-PCB-11	FK1252CW-010-NT30G-50	FK1252AKC02NC5F	FKLC90103A
D	FA1-NDRP-PCB-11	FK1252DW-010-NT30G-50	FK1252AKD02NC5F	FKLC90104A
E	FA1-NERP-PCB-11	FK1252EW-010-NT30G-50	FK1252AKE02NC5F	FKLC90105A
F	FA1-NFRP-PCB-11	FK1252FW-010-NT30G-50	FK1252AKF02NC5F	FKLC90106A
G	FA1-NGRP-PCB-11	FK1252GW-010-NT30G-50	FK1252AKG02NC5F	FKLC90107A
H	FA1-NHRP-PCB-11	FK1252HW-010-NT30G-50	FK1252AKH02NC5F	FKLC90108A
I	FA1-NIRP-PCB-11	FK1252IW-010-NT30G-50	FK1252AKI02NC5F	FKLC90109A
K	FA1-NKRP-PCB-11	FK1252KW-010-NT30G-50	FK1252AKK02NC5F	FKLC90110A
Z	FA1-NZRP-PCB-11	FK1252ZW-010-NT30G-50	FK1252AKZ02NC5F	FKLC90111A

NO.	DESCRIPTION	MATERIAL	FINISH	Q'TY	DRAWING NO.	
8	RING		NOTE 1	NOTE 2	1	FKLR00101A
7	LOCK COVER		NOTE 7		1	SEE TABLE
6	COVER		NOTE 8	NOTE 2	1	CV-523X06-T-B
5	INSULATOR		NOTE 5	NATURAL	1	FKNS01501A
4	CONTACT PIN		NOTE 1	NOTE 3	1	FKCP01208A
3	INSULATOR		NOTE 5	NATURAL	1	FKNS00906A
2	INSULATOR		NOTE 5	NATURAL	1	FKNS00401A
1	BODY		NOTE 6	NOTE 4	1	FKBD03601A

DIMENSIONS ARE IN MILLIMETERS
UNLESS OTHERWISE SPECIFIED TOLERANCES

0.5-6	= ±0.2
6-30	= ±0.4
30-120	= ±0.6
120-315	= ±1
315-1000	= ±1.6
1000-2000	= ±2.4

PART NO. FA1-NXRP-PCB-11

APPROVED *[Signature]* DATE 10-22-03'

CHECKED *[Signature]* DATE 10-22-03'

DRAWN *[Signature]* DATE 10-22-03'

FILE NO. F:\DWG\FK\1252XX\010\50\NT30G-A1

Amphenol
Danbury, CT, USA - Tainan, Taiwan - Shenzhen, China

TITLE
FAKRA SMB R/A SMT PCB PLUG

DRAWING NO.
FK1252XX-010-NT30G-50

ITEM NO.
FK1252AKX02NC5F

F
E
D
C
B
A

F
E
D
C
B
A