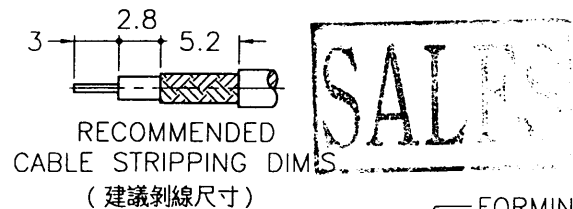
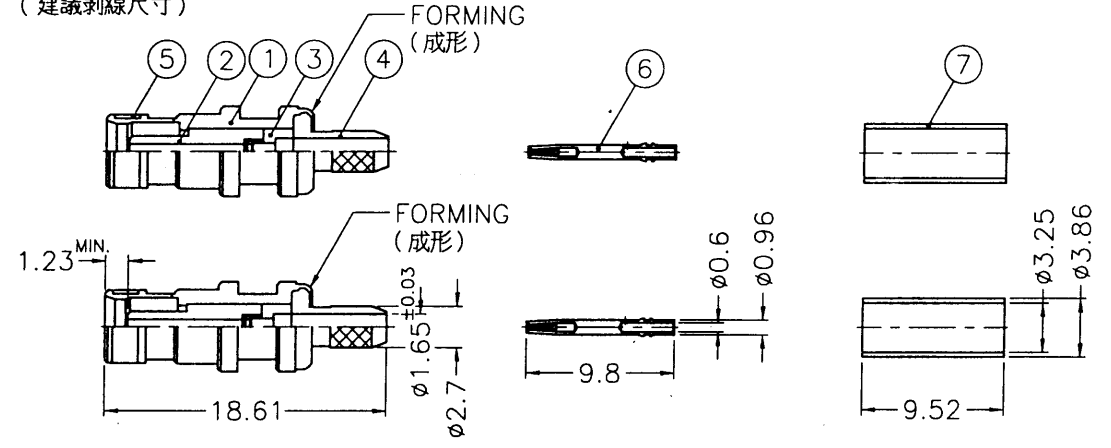
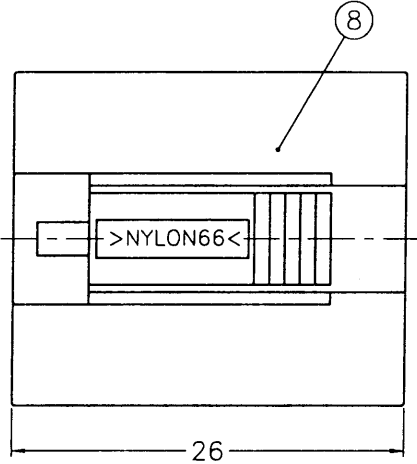
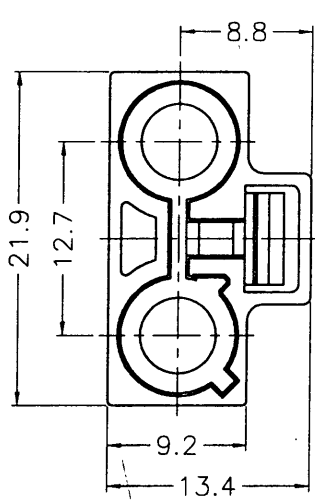


REVISIONS		
ISS	ZONE	DESCRIPTION\PER REQUEST\DATE
D	B-8	NO.8 WAS CHANGED\RD-DM91091701L\11-12-02'
E	B-8	NO.8 WAS CHANGED\RD-DM92081501L\08-18-03'

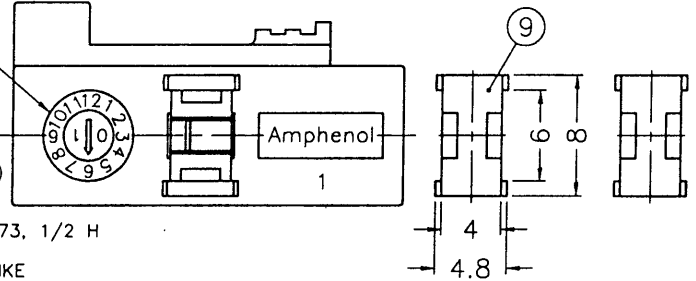


1. CRIMPED FERRULE  
HEX CRIMP SIZE .128"
2. CRIMPED CONTACT PIN AFM8  
ADJUST TO 4 OR 5  
POSITIONER K727

F  
E  
D  
C  
B  
A



DATE MARK  
(日期記號)



- NOTES: FINISH (PLATING THICKNESS IN MICRO-INCHES)
1. BRASS PER QQ-B-626, ALLOY 360, 1/2 H ; JIS H3250 C 3604BD OR EQUIVALENT
  2. BERYLLIUM COPPER PER QQ-C-530, ALLOY 173, 1/2 H ; FUJII FX301 OR EQUIVALENT
  3. NICKEL PL. 60 MIN. THICK OVER COPPER STRIKE
  4. GOLD PL. 30 MIN. THICK OVER NICKEL PL. 100 MIN. THICK OVER COPPER STRIKE
  5. TEFLON MIL-P-19468 OR EQUIVALENT
  6. COPPER PER ASTM B-75 ALLOY C12200 OR EQUIVALENT
  7. NYLON66(WITH 33% GLASS FIBER) PER NYTEX COMPOSITES CO., LTD. GRADE MG-0033N-V0 OR EQUIVALENT
  8. PBT(WITH 15% GLASS FIBER) PER CHANG CHUN GRADE 4115202 OR EQUIVALENT

TABLE

KEY CODING	PART NO.	DRAWING NO.	ITEM NO.	LOCK COVER
A	FA2-NASJ-C01-0	FKT6121AW-007-NT30G-50	FK7121AAA36NC5F	FKLC20101E
B	FA2-NBSJ-C01-0	FKT6121BW-007-NT30G-50	FK7121AAB36NC5F	FKLC20102E
C	FA2-NCSJ-C01-0	FKT6121CW-007-NT30G-50	FK7121AAC36NC5F	FKLC20103E
D	FA2-NDSJ-C01-0	FKT6121DW-007-NT30G-50	FK7121AAD36NC5F	FKLC20104E
E	FA2-NESJ-C01-0	FKT6121EW-007-NT30G-50	FK7121AAE36NC5F	FKLC20105E
F	FA2-NFSJ-C01-0	FKT6121FW-007-NT30G-50	FK7121AAF36NC5F	FKLC20106E
G	FA2-NGSJ-C01-0	FKT6121GW-007-NT30G-50	FK7121AAG36NC5F	FKLC20107E
H	FA2-NHSJ-C01-0	FKT6121HW-007-NT30G-50	FK7121AAH36NC5F	FKLC20108E
I	FA2-NISJ-C01-0	FKT6121IW-007-NT30G-50	FK7121AAI36NC5F	FKLC20109E
K	FA2-NKSJ-C01-0	FKT6121KW-007-NT30G-50	FK7121AAK36NC5F	FKLC20110E
Z	FA2-NZSJ-C01-0	FKT6121ZW-007-NT30G-50	FK7121AAZ36NC5F	FKLC20111E

NO.	DESCRIPTION	MATERIAL	FINISH	Q'TY	DRAWING NO.
9	LOCK COVER	NOTE 8	NATURAL	2	FKLC00001A
8	LOCK COVER	NOTE 7	NATURAL	1	SEE TABLE
7	FERRULE	NOTE 6	NOTE 3	2	FKFR00101A
6	CONTACT PIN	NOTE 2	NOTE 4	2	FKCP00201A
5	RETAINER RING	NOTE 2	NATURAL	2	FKRR00101A
4	BARREL	NOTE 1	NOTE 3	2	FKBR00101B
3	INSULATOR	NOTE 5	NATURAL	2	FKNS00201A
2	INSULATOR	NOTE 5	NATURAL	2	FKNS00301A
1	BODY	NOTE 1	NOTE 3	2	FKBD00301A

DIMENSIONS ARE IN MILLIMETERS  
UNLESS OTHERWISE SPECIFIED  
TOLERANCES  
0.5-6 = ±0.2  
6-30 = ±0.4  
30-120 = ±0.6  
120-315 = ±1  
315-1000 = ±1.6  
1000-2000 = ±2.4

PART NO. FA2-NXSJ-C01-0

APPROVED: [Signature] DATE: 08-18-03'

CHECKED: [Signature] DATE: 08-18-03'

DRAWN: [Signature] DATE: 08-18-03'

**Amphenol**  
Danbury, CT, USA - Tainan, Taiwan - Shenzhen, China

TITLE: FAKRA TWIN SMB CRIMP JACK  
(FOR RG-174/U, 188A/U, 316/U CABLE)

DRAWING NO. FKT6121XX-007-NT30G-50

ITEM NO. FK7121AAX36NC5F

F  
E  
D  
C  
B  
A