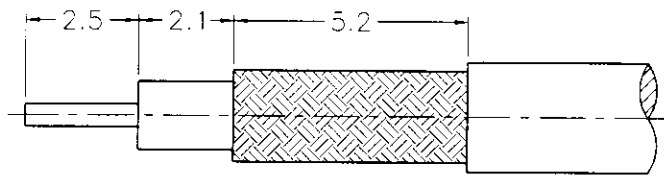


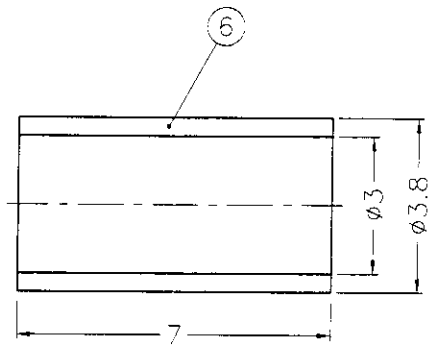
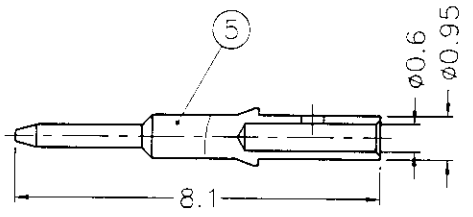
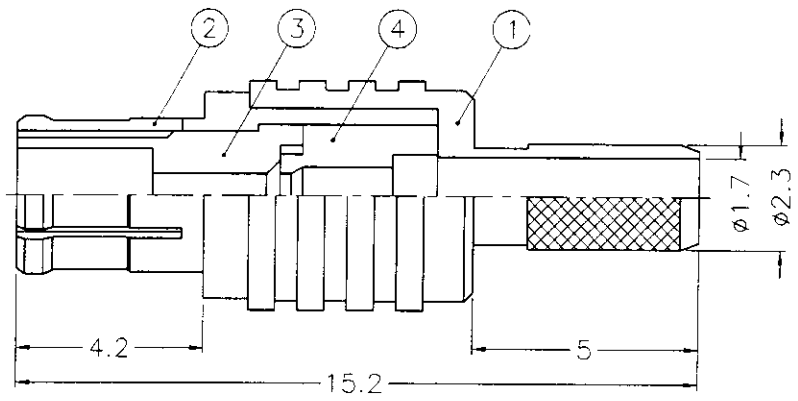
REVISIONS	
SS	ZONE
B	A-1

NO.2 WAS CHANGED\RD-DM89011401B\01-14-00'



業務部

RECOMMENDED
CABLE STRIPPING DIM'S
(建議剝線尺寸)



- NOTES: FINISH (PLATING THICKNESS IN MICRO-INCHES)
- BRASS PER QQ-B-626
 - NICKEL PL. 100 MIN. THICK OVER COPPER STRIKE
 - BERYLLIUM COPPER PER QQ-C-530
 - GOLD PL. 30 MIN. THICK OVER NICKEL PL. 100 MIN. THICK OVER COPPER STRIKE
 - TEFLON MIL-P-19468

- CRIMPED FERRULE
HEX CRIMP SIZE .128"
- CRIMPED CONTACT PIN
SQ. CRIMP SIZE 0.7(mm)



NO.	DESCRIPTION	MATERIAL	FINISH	Q'TY	DRAWING NO.	SCALE	6/1	ISSUE	B
6	FERRULE	COPPER	NOTE 2	1	FR-38/3X7C	DIMENSIONS ARE IN MILLIMETERS			
5	CONTACT PIN	NOTE 1	NOTE 4	1	MCX1121A1-5-095/06	UNLESS OTHERWISE SPECIFIED TOLERANCES			
4	INSULATOR	NOTE 5	NATURAL	1	MCX1121A1-4	0.5-6 = ±0.2			
3	INSULATOR	NOTE 5	NATURAL	1	MCX1121A1-3	6-30 = ±0.4			
2	BODY	NOTE 3	NOTE 2	1	MCX1121A1-2-B	30-120 = ±0.6			
1	HOUSING	NOTE 1	NOTE 2	1	MCX1121A1-1-23/17	120-315 = ±1			
						315-1000 = ±1.6			
						1000-2000 = ±2.4			
PART NO.									
APPROVED <i>Mark C</i> DATE 01-21-00'									
CHECKED <i>Coast W</i> DATE 01-21-00'									
DRAWN <i>Coast W</i> DATE 01-21-00'									
TITLE Amphenol - Kai Jack TAINAN TAIWAN									
MCX CRIMP PLUG (FOR RG-174/U,188A/U,316/U)									
DRAWING NO. KJ-MCX1121A1-NT30G-316U-50									
FILE NO. F:\DWG\MCX\1121A1\316U-50\NT30G									

MCX-RD-33