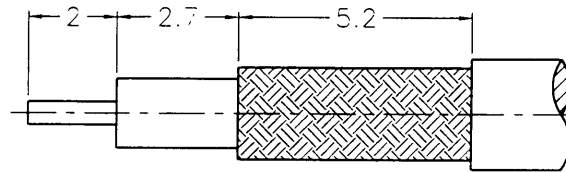


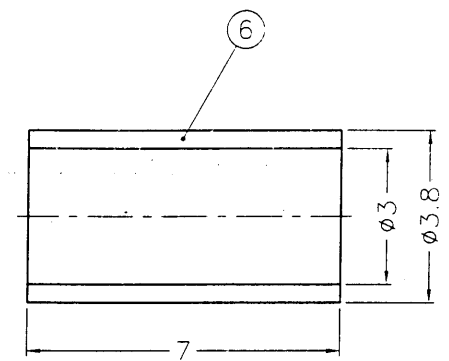
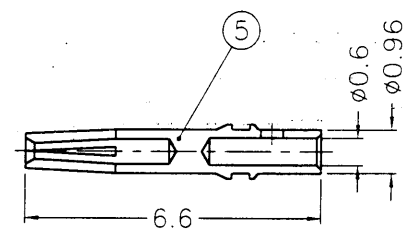
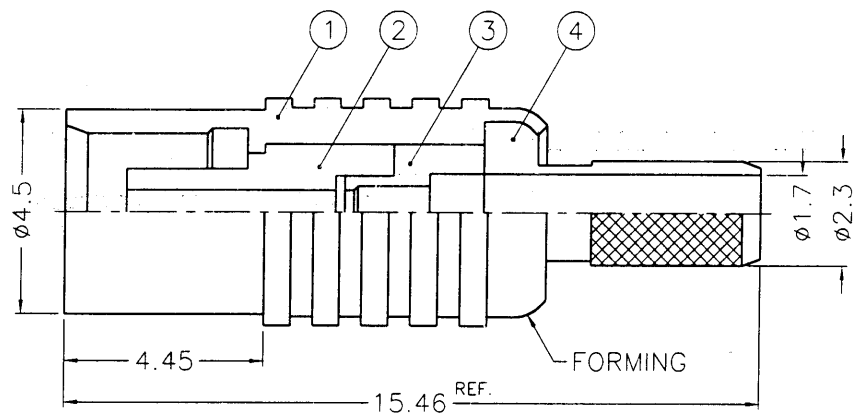
1 2 3 4 5 6 7 8

REVISIONS		
ISS	ZONE	DESCRIPTION\PER REQUEST\DATE

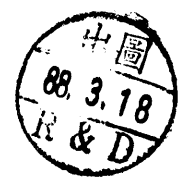
業務部



RECOMMENDED  
CABLE STRIPPING DIM'S



- NOTES: FINISH (PLATING THICKNESS IN MICRO-INCHES)
1. BRASS PER QQ-B-626
  2. GOLD PL. 3 MIN. THICK OVER NICKEL PL. 100 MIN. THICK OVER COPPER STRIKE
  3. BERYLLIUM COPPER PER QQ-C-530
  4. GOLD PL. 30 MIN. THICK OVER NICKEL PL. 100 MIN. THICK OVER COPPER STRIKE
  5. TEFLON MIL-P-19468



NO.	DESCRIPTION	MATERIAL	FINISH	Q'TY	DRAWING NO.
6	FERRULE	COPPER	NOTE 2	1	FR-38/3X7C
5	CONTACT PIN	NOTE 3	NOTE 4	1	SMB6121B2-5-096/06-C
4	BARREL	NOTE 1	NOTE 2	1	MCX6121A1-4-23/17-B
3	INSULATOR	NOTE 5	NATURAL	1	SMB6121B2-3T-50
2	INSULATOR	NOTE 5	NATURAL	1	MCX6121A1-2T-50
1	BODY	NOTE 1	NOTE 2	1	MCX6121A1-1-B

DIMENSIONS ARE IN MILLIMETERS				PART NO.	
UNLESS OTHERWISE SPECIFIED TOLERANCES				APPROVED	
0.5-6	= ±0.2	DATE		03-18-99'	
6-30	= ±0.4	DATE		03-18-99'	
30-120	= ±0.6	DATE		03-18-99'	
120-315	= ±1	DATE		03-18-99'	
315-1000	= ±1.6	DATE		03-18-99'	
1000-2000	= ±2.4	DATE		03-18-99'	

**KAI JACK INDUSTRIAL CO., LTD.**  
TAINAN TAIWAN R.O.C.

TITLE: MCX CRIMP JACK  
(FOR RG-174/U, 188A/U, 316/U)

DRAWING NO.: KJ-MCX6121A1-3GT30G-316U-50

FILE NO.: F:\DWG\MCX\6121A1\316U-50\3GT30G

Mark.C  
Mark.C  
Aca

A

A

1 2 3 4 5 6 7 8

MCX 20137