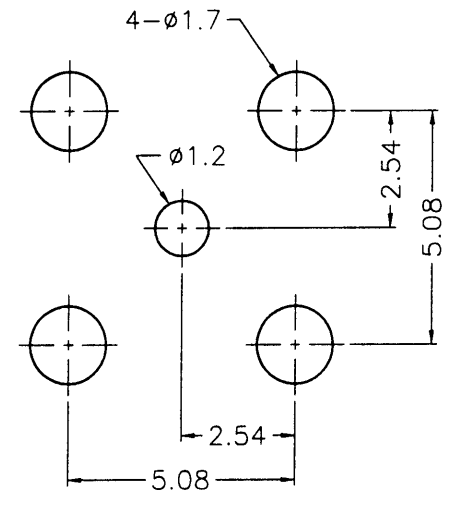
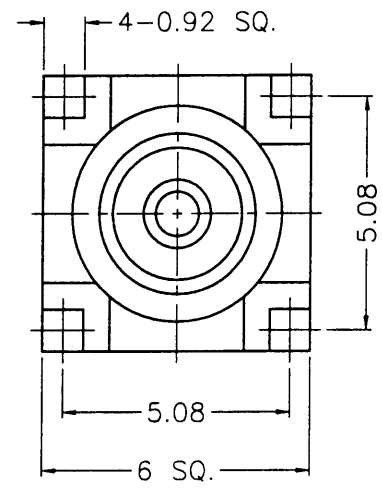
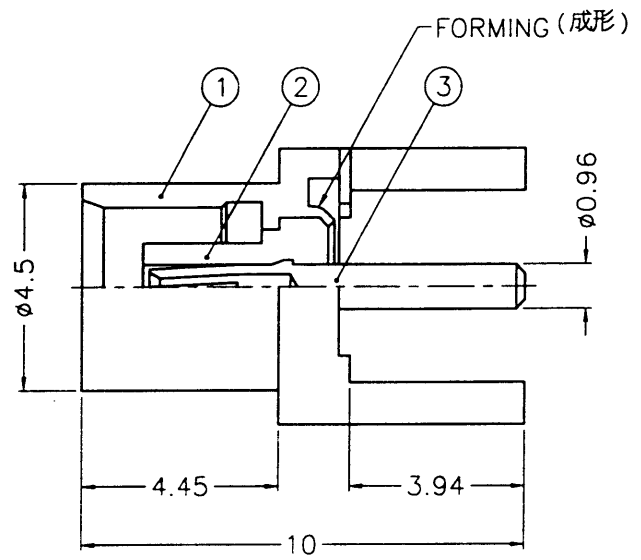


SALES



PCB MOUNTING HOLES
(印刷电路板架設孔)

NOTES: FINISH (PLATING THICKNESS IN MICRO-INCHES)
 1. BRASS PER QQ-B-626
 2. GOLD PL. 3 MIN. THICK OVER NICKEL PL. 100 MIN. THICK OVER COPPER STRIKE
 3. BERYLLIUM COPPER PER QQ-C-530
 4. GOLD PL. 50 MIN. THICK OVER NICKEL PL. 100 MIN. THICK OVER COPPER STRIKE
 5. TEFLON MIL-P-19468

ISSUED
2002. 11. 07
R & D

					DIMENSIONS ARE IN MILLIMETERS				PART NO.		Amphenol		
					UNLESS OTHERWISE SPECIFIED TOLERANCES				APPROVED		Danbury, CT, USA - Tainan, Taiwan - Shenzhen, China		
									CHECKED		TITLE		
									DRAWN		DRAWING NO.		
									FILE NO.		ITEM NO.		
3	CONTACT PIN	NOTE 3	NOTE 4	1	MCX6251B1-3-B	0.5-6 = ±0.2	6-30 = ±0.4	30-120 = ±0.6	120-315 = ±1	315-1000 = ±1.6	1000-2000 = ±2.4	MCX P.C. BOARD RECEPT. JACK	
2	INSULATOR	NOTE 5	NATURAL	1	MXC6251B1-2T-50-B							KJ-MCX6251B1-3GT50G-50	
1	BODY	NOTE 1	NOTE 2	1	MCX6251B1-1-B							086251AAB02GA5F	
NO.	DESCRIPTION	MATERIAL	FINISH	Q'TY	DRAWING NO.	SCALE	6/1	ISSUE	A	FILE NO.	F:\DWG\MCX\6251B1\50\3GT50G	7RD-DR 1602 8	