

ISS	ZONE	DESCRIPTION\PER REQUEST\DATE
-----	------	------------------------------

REVISIONS

2

3

4

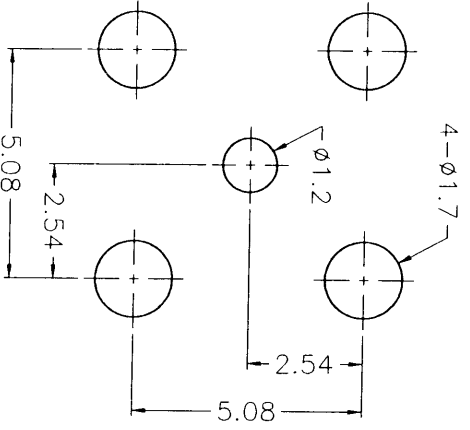
5

6

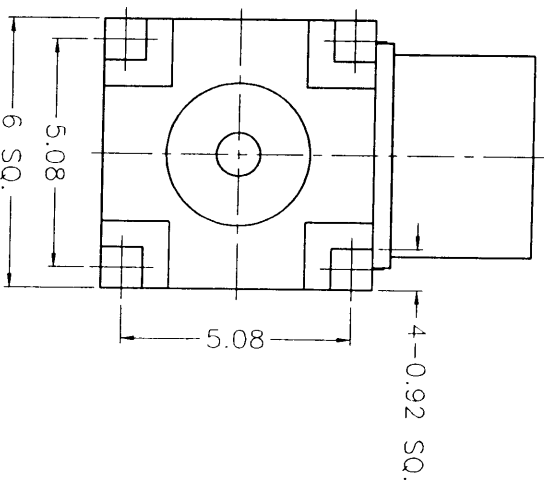
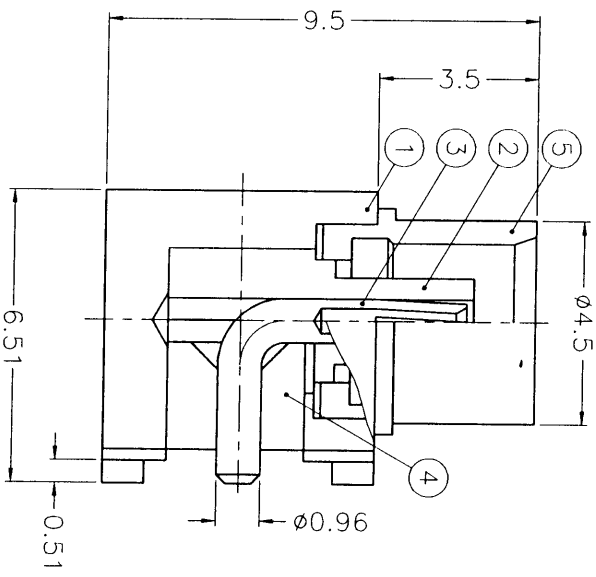
7

8

業務部



PCB MOUNTING HOLE
(印刷電路板架設孔)



- NOTES: FINISH (PLATING THICKNESS IN MICRO-INCHES)
1. BRASS PER QQ-B-626
 2. GOLD PL. 3 MIN. THICK OVER NICKEL PL. 100 MIN. THICK OVER COPPER STRIKE
 3. BERYLLIUM COPPER PER QQ-C-530
 4. GOLD PL. 30 MIN. THICK OVER NICKEL PL. 100 MIN. THICK OVER COPPER STRIKE
 5. TEFLON MIL-P-19468

5	BODY	NOTE 1	NOTE 2	1	MCX6252B1-5-B
4	INSULATOR	NOTE 5	NATURAL	1	MCX6252B1-4T
3	CONTACT PIN	NOTE 3	NOTE 4	1	MCX6252B4-3
2	INSULATOR	NOTE 5	NATURAL	1	MCX6252B1-2T
1	HOUSING	NOTE 1	NOTE 2	1	MCX6252B4-1

DIMENSIONS ARE IN MILLIMETERS
UNLESS OTHERWISE SPECIFIED
TOLERANCES

0.5-6	= ±0.2
6-30	= ±0.4
30-120	= ±0.6
120-315	= ±1
315-1000	= ±1.6
1000-2000	= ±2.4

PART NO.	
APPROVED	<i>Asok. C</i>
DATE	04-10-00'
CHECKED	<i>Sacker</i>
DATE	04-10-00'
DRAWN	<i>Sacker</i>
DATE	04-10-00'

TITLE	Amphenol - Kai Jack
	TAINAN TAIWAN
DRAWING NO.	KJ-MCX6252B4-3GT30G-50
FILE NO.	F:\DWG\MCX\6252B4\50\3GT30G

80 4 14

1 2 3 4 5 6 7 8 982