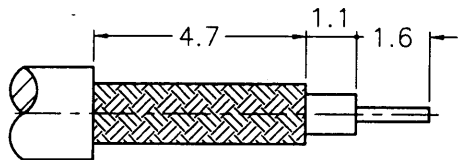
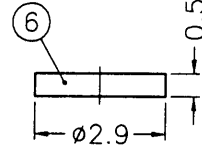
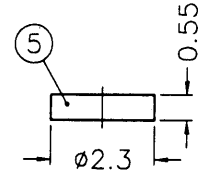
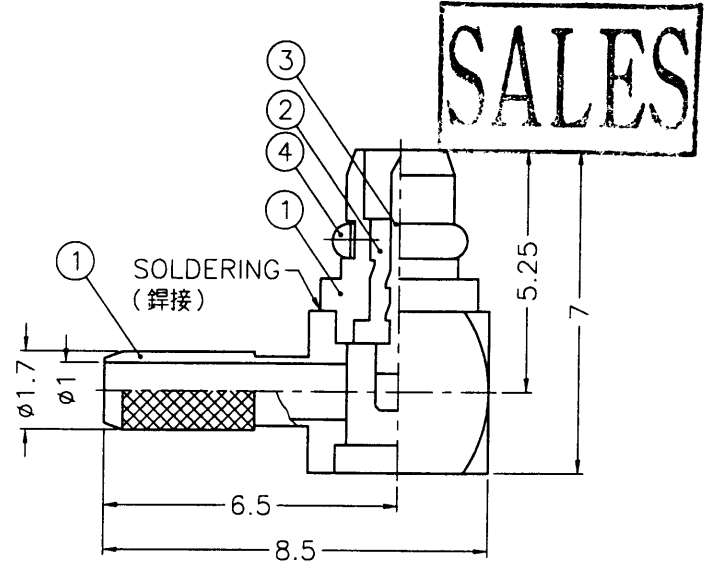
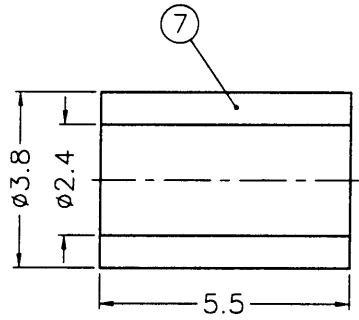


1 2 3 4 5 6 7 8

REVISIONS			
ISS	ZONE	DESCRIPTION\PER REQUEST\DATE	
G	A-1	NO.4 WAS CHANGED\RD-DM90111901K\11-19-01'	
		ADDED NO.5\RD-DM91121901K\12-19-02'	



RECOMMENDED
CABLE STRIPPING DIM'S
(建議剝線尺寸)



- 1. CRIMPED FERRULE
HEX. CRIMP SIZE .128"
- 2. CONTACT PIN TO SOLDER

NOTES: FINISH (PLATING THICKNESS IN MICRO-INCHES)
 1. BRASS PER QQ-B-626
 2. BRASS PER QQ-B-613
 3. GOLD PL. 3 MIN. THICK OVER NICKEL PL. 100 MIN. THICK OVER COPPER STRIKE
 4. BERYLLIUM COPPER PER QQ-C-530
 5. GOLD PL. 30 MIN. THICK OVER NICKEL PL. 100 MIN. THICK OVER COPPER STRIKE
 6. TEFLON MIL-P-19468

NO.	DESCRIPTION	MATERIAL	FINISH	Q'TY	DRAWING NO.
7	FERRULE	COPPER	NOTE 3	1	FR-38/24X55C
6	COVER	NOTE 2	NOTE 3	1	CV-29X05-T
5	INSULATOR	NOTE 6	NATURAL	1	MMCX1112A1-004-6T-B
4	RETAINER RING	NOTE 4	NOTE 3	1	MMCX1112A1-5-D
3	CONTACT PIN	NOTE 1	NOTE 5	1	MMCX1112A1-4-B
2	INSULATOR	NOTE 6	NATURAL	1	MMCX1112A1-3T-50-B
1	HOUSING WITH BODY	NOTE 1	NOTE 3	1	MMCX1112A1-1S-17/1-B

DIMENSIONS ARE IN MILLIMETERS				PART NO.	
UNLESS OTHERWISE SPECIFIED TOLERANCES				APPROVED	DATE
0.5-6	= ±0.2			<i>gackey</i>	12-25-02'
6-30	= ±0.4			<i>Ken</i>	12-25-02'
30-120	= ±0.6			<i>Ken</i>	12-25-02'
120-315	= ±1				
315-1000	= ±1.6				
1000-2000	= ±2.4				
SCALE	6/1	ISSUE	G	FILE NO.	F:\DWG\MMCX\1112A1\196AU-50\3GT30G

Amphenol	
Danbury,CT,USA-Tainan,Taiwan-Shenzhen,China	
TITLE	MMCX R/A CRIMP PLUG (FOR RG-178B/U,196A/U)
DRAWING NO.	MMCX1112A1-3GT30G-196AU-50
ITEM NO.	091112AAB19GE5F

F

E

D

C

B

A

F

E

D

C

B

A

7RD-DR 166428