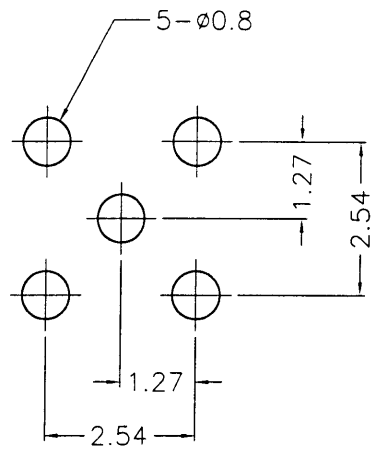


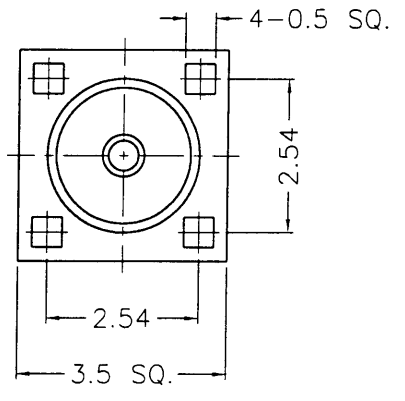
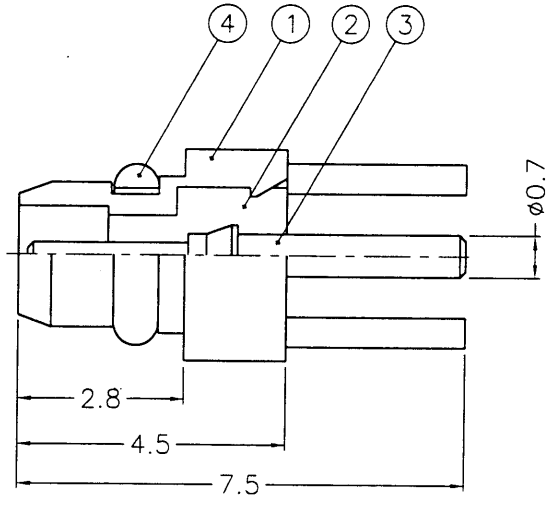
1 2 3 4 5 6 7 8

| REVISIONS |      |   |
|-----------|------|---|
| ISS       | ZONE | DESCRIPTION\PER REQUEST\DATE              |
| B         | A-1  | NO.4 WAS CHANGED\RD-DM88060701C\06-07-99' |

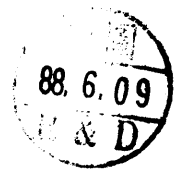
業務部



PCB MOUNTING HOLE  
(印刷電路板架設孔)



- NOTES: FINISH (PLATING THICKNESS IN MICRO-INCHES)
- BRASS PER QQ-B-626
  - GOLD PL. 3 MIN. THICK OVER NICKEL PL. 100 MIN. THICK OVER COPPER STRIKE
  - BERYLLIUM COPPER PER QQ-C-530
  - GOLD PL. 30 MIN. THICK OVER NICKEL PL. 100 MIN. THICK OVER COPPER STRIKE
  - TEFLON MIL-P-19468



|     |               |          |         |      | DIMENSIONS ARE IN MILLIMETERS         |              |             |               | PART NO      |                 | KAI JACK INDUSTRIAL CO., LTD.<br>TAINAN TAIWAN R.O.C. |                              |           |                      |  |
|-----|---------------|----------|---------|------|---------------------------------------|--------------|-------------|---------------|--------------|-----------------|---|------------------------------|-----------|----------------------|--|
|     |               |          |         |      | UNLESS OTHERWISE SPECIFIED TOLERANCES |              |             |               | APPROVED     |                 | TITLE   |                              |           |                      |  |
| 4   | RETAINER RING | NOTE 3   | NOTE 2  | 1    | MMCX1121A1-5-C                        | 0.5-6 = ±0.2 | 6-30 = ±0.4 | 30-120 = ±0.6 | 120-315 = ±1 | 315-1000 = ±1.6 | 1000-2000 = ±2.4                                      | DATE                         | 06-08-99' | MMCX P.C. MOUNT PLUG |  |
| 3   | CONTACT PIN   | NOTE 1   | NOTE 4  | 1    | MMCX1251N1-3                          | CHECKED      |             | DATE          | 06-08-99'    | DRAWING NO.     |   | KJ-MMCX1251N1-3GT30G-50      |           |                      |  |
| 2   | INSULATOR     | NOTE 5   | NATURAL | 1    | MMCX1251N1-2T-50                      | DRAWN        |             | DATE          | 06-08-99'    | FILE NO.        |   | F:\DWG\MMCX\1251N1\50\3GT30G |           |                      |  |
| 1   | BODY          | NOTE 1   | NOTE 2  | 1    | MMCX1251N1-1                          | SCALE        |             | 8/1           | ISSUE        | B               |   |                              |           |                      |  |
| NO. | DESCRIPTION   | MATERIAL | FINISH  | Q'TY | DRAWING NO.                           |              |             |               |              |                 |   |                              |           |                      |  |

88060701C