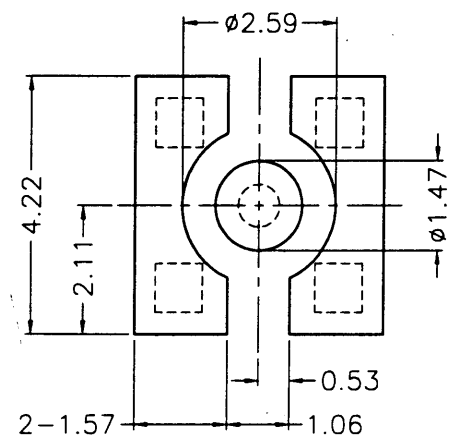


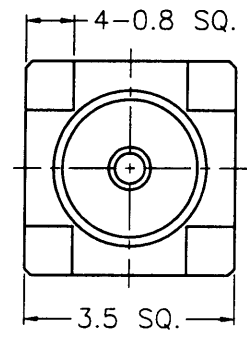
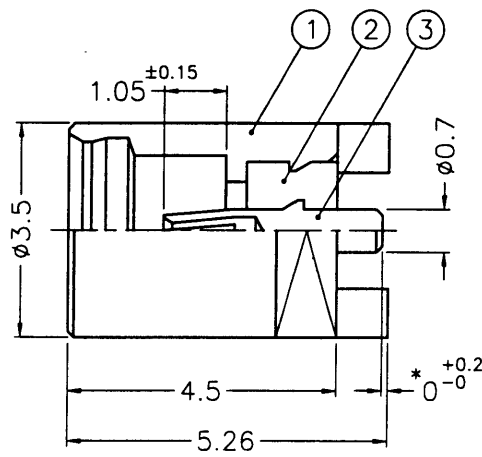
REVISIONS			
ISS	ZONE	DESCRIPTION\PER REQUEST\DATE	

**SALE**

REMARK : 1. BETWEEN NO.1 AND NO.2 MUST WITHSTAND A 2.3 LBS MIN. SEPARATED FORCE.  
 2. BETWEEN NO.2 AND NO.3 MUST WITHSTAND A 2.3 LBS MIN. SEPARATED FORCE.  
 3. CONNECTOR CAN NOT TILT WHEN PLACING THE PCB  
 (1. 零件 1 及零件 2 至少須承受 2.3 磅的脫離力量)  
 (2. 零件 2 及零件 3 至少須承受 2.3 磅的脫離力量)  
 (3. 當接頭放至在 PCB 平面時, 不可傾斜)



RECOMMENDED MOUNTING PATTERN  
(建議架設模型)



- NOTES: FINISH (PLATING THICKNESS IN MICRO-INCHES)
- BRASS PER QQ-B-626
  - GOLD PL. 3 MIN. THICK OVER NICKEL PL. 100 MIN. THICK OVER COPPER STRIKE
  - BERYLLIUM COPPER PER QQ-C-530
  - GOLD PL. 30 MIN. THICK OVER NICKEL PL. 100 MIN. THICK OVER COPPER STRIKE
  - TEFLON MIL-P-19468

ISSUED  
2002. 7. 12  
R&D

DIMENSIONS ARE IN MILLIMETERS					PART NO.		Amphenol - Kai Jack			
UNLESS OTHERWISE SPECIFIED TOLERANCES					APPROVED	DATE	TAINAN TAIWAN			
3	CONTACT PIN	NOTE 3	NOTE 4	1	MMCX6251N2-3-B	gacky	07-10-02'	TITLE		
2	INSULATOR	NOTE 5	NATURAL	1	MMCX6251N1-2T-50		gacky	07-10-02'	MMCX SURFACE MOUNT JACK	
1	BODY	NOTE 1	NOTE 2	1	BD09ABH01A		gacky	07-10-02'	DRAWING NO.	
					SCALE	8/1	ISSUE	A	DRAWING NO.	KJ-MMCX6251N2-002-3GT30G-50
					FILE NO.	F:\DWG\MMCX\6251N2\002\50\3GT30G			ITEM NO.	096251AAG56GE5F