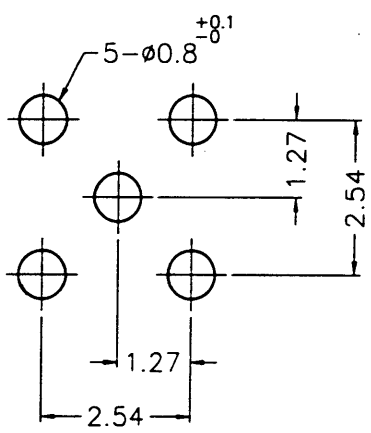
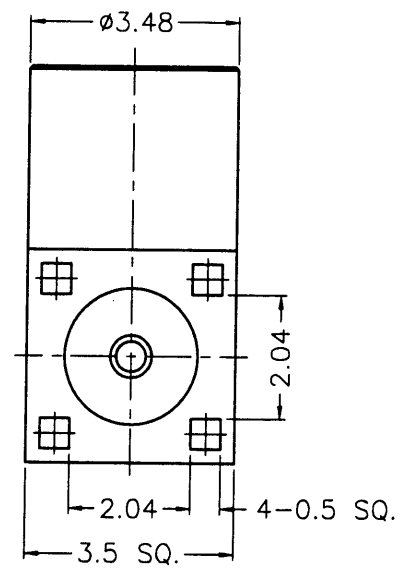
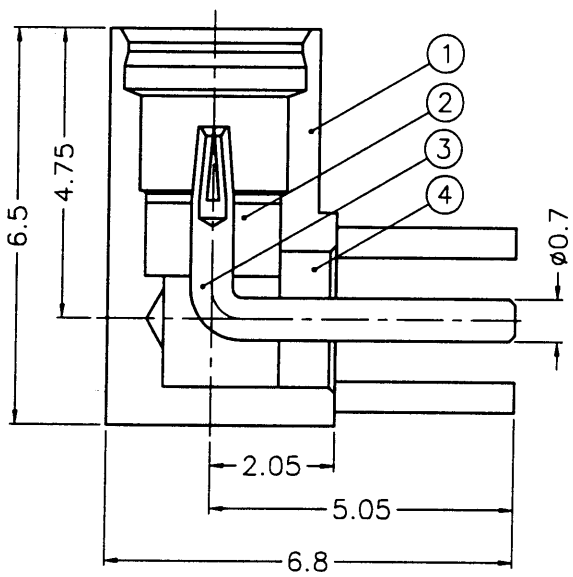


REVISIONS		
ISS	ZONE	DESCRIPTION\PER REQUEST\DATE
E	A-1	NO.1 ,NO.2 AND NO.4 WERE CHANGED\ RD-DM91090201K\09-02-02'

**SALES**



PCB MOUNTING HOLE  
(印刷電路板架設孔)



- NOTES: FINISH (PLATING THICKNESS IN MICRO-INCHES)
- BRASS PER QQ-B-626
  - GOLD PL. 3 MIN. THICK OVER NICKEL PL. 100 MIN. THICK OVER COPPER STRIKE
  - BERYLLIUM COPPER PER QQ-C-530
  - GOLD PL. 30 MIN. THICK OVER NICKEL PL. 100 MIN. THICK OVER COPPER STRIKE
  - TEFLON MIL-P-19468

ISSUED  
2002. 9. 04  
J & D

DIMENSIONS ARE IN MILLIMETERS					PART NO.		<b>Amphenol - Kai Jack</b> TAINAN TAIWAN			
UNLESS OTHERWISE SPECIFIED TOLERANCES					APPROVED	DATE			TITLE	
4	INSULATOR	NOTE 5	NATURAL	1	NS00AGM21A	<i>Jawcky</i> <i>Jawcky</i> <i>Jawcky</i>			09-02-02'	MMCX R/A P.C.B. JACK
3	CONTACT PIN	NOTE 3	NOTE 4	1	MMCX6252N1-3-B				09-02-02'	DRAWING NO. KJ-MMCX6252N1-3GT30G-50
2	INSULATOR	NOTE 5	NATURAL	1	NS00AGM20A		09-02-02'	ITEM NO. 096252AAB10GE5F		
1	BODY	NOTE 1	NOTE 2	1	BD09ABV02A		09-02-02'			
0.5-6 = ±0.2 6-30 = ±0.4 30-120 = ±0.6 120-315 = ±1 315-1000 = ±1.6 1000-2000 = ±2.4					SCALE	8/1	ISSUE	E	FILE NO.	E:\DWG\MMCX\6252N1\50\3GT30G

7RD-DK 157958