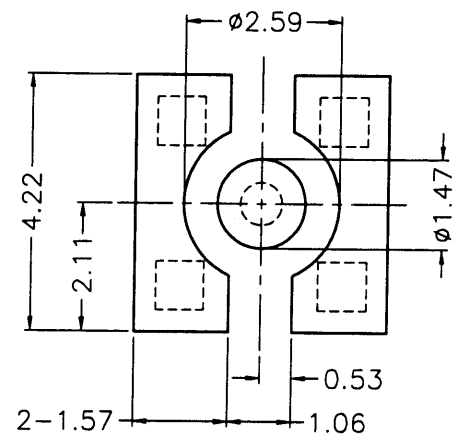
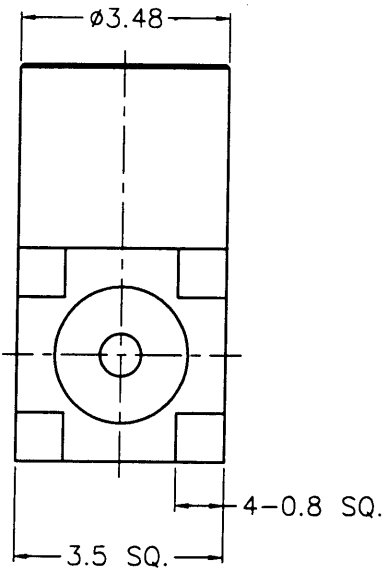
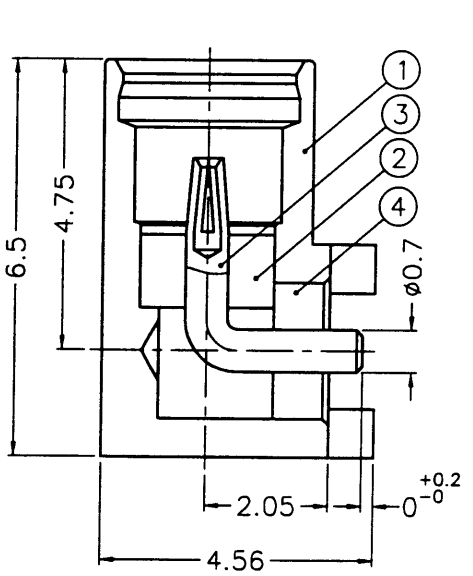


1 2 3 4 5 6 7 8

REVISIONS			
ISS	ZONE	DESCRIPTION\PER REQUEST\DATE	
B	A-1	NO.1 ,NO.2 AND NO.4 WERE CHANGED\ RD-DM91090201K\09-02-02'	

SALES



RECOMMENDED MOUNTING PATTERN
(建議架設模型)

- NOTES: FINISH (PLATING THICKNESS IN MICRO-INCHES)
- BRASS PER QQ-B-626
 - GOLD PL. 3 MIN. THICK OVER NICKEL PL. 100 MIN. THICK OVER COPPER STRIKE
 - BERYLLIUM COPPER PER QQ-C-530
 - GOLD PL. 30 MIN. THICK OVER NICKEL PL. 100 MIN. THICK OVER COPPER STRIKE
 - TEFLON MIL-P-19468



					DIMENSIONS ARE IN MILLIMETERS				PART NO.		Amphenol - Kai Jack		
					UNLESS OTHERWISE SPECIFIED TOLERANCES				APPROVED		TAINAN TAIWAN		
4	INSULATOR	NOTE 5	NATURAL	1	NS00AGM21A	0.5-6 = ±0.2	DATE		<i>Jacky</i> 09-02-02'		TITLE		
3	CONTACT PIN	NOTE 3	NOTE 4	1	CP09AAG03A	6-30 = ±0.4	DATE				MMCX SURFACE MOUNT JACK		
2	INSULATOR	NOTE 5	NATURAL	1	NS00AGM20A	30-120 = ±0.6	DATE				DRAWING NO.		
1	BODY	NOTE 1	NOTE 2	1	BD09ABY01A	120-315 = ±1	DATE		<i>Jacky</i> 09-02-02'		KJ-MMCX6252N2-3GT30G-50		
						315-1000 = ±1.6	DATE				ITEM NO.		096252AAD56GE5F
						1000-2000 = ±2.4	SCALE	8/1	ISSUE	B	FILE NO.	7RD-DR 159968	

1 2 3 4 5 6 7RD-DR 159968