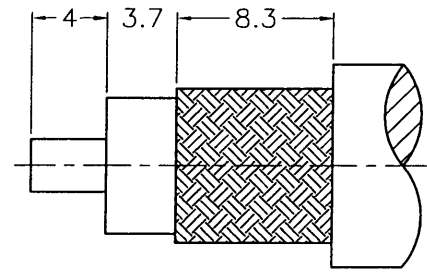
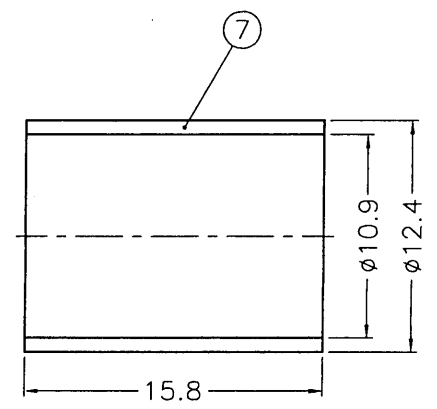
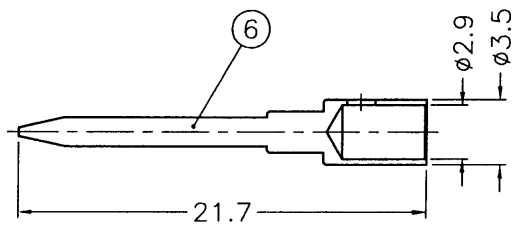
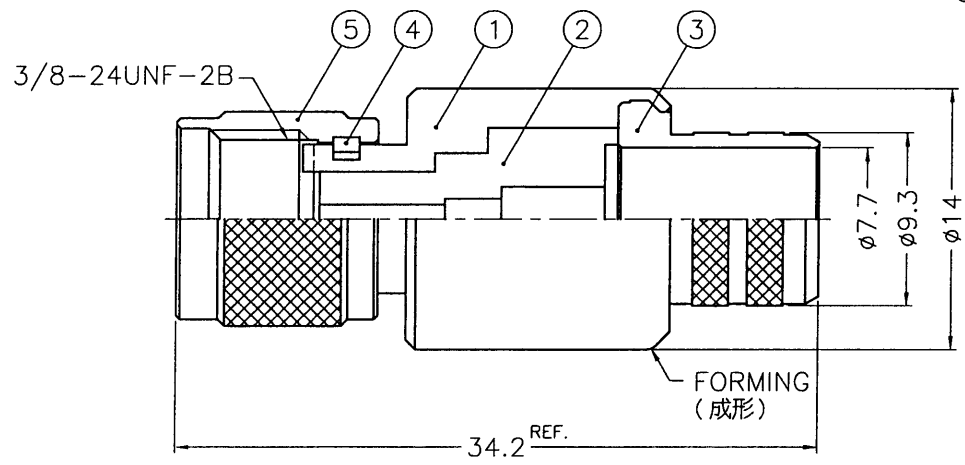


1 2 3 4 5 6 7 8

REVISIONS		
ISS	ZONE	DESCRIPTION\PER REQUEST\DATE



RECOMMENDED
CABLE STRIPPING DIM'S
(建議剝線尺寸)



NOTES: FINISH (PLATING THICKNESS IN MICRO-INCHES)
 1. BRASS PER QQ-B-626
 2. NICKEL PL. 100 MIN. THICK OVER COPPER STRIKE
 3. GOLD PL. 3 MIN. THICK OVER NICKEL PL. 100 MIN. THICK OVER COPPER STRIKE
 4. TEFLON MIL-P-19468
 5. JIS H 3250, C 2600

1. CRIMPED FERRULE
HEX CRIMP SIZE .429"
 2. CRIMPED CONTACT PIN
HEX CRIMP SIZE .118"

NO.	DESCRIPTION	MATERIAL	FINISH	Q'TY	DRAWING NO.
7	FERRULE	NOTE 5	NOTE 2	1	FR-124/109X158
6	CONTACT PIN	NOTE 1	NOTE 3	1	CP19---
5	SHELL	NOTE 1	NOTE 2	1	PT-4000-002-1
4	RETAINER RING	SUS 304	NATURAL	1	PT-4000-002-6 -B
3	BARREL	NOTE 1	NOTE 2	1	NS000-3-93/77 -B
2	INSULATOR	NOTE 4	NATURAL	1	NS19---
1	BODY	NOTE 1	NOTE 2	1	BD19---

DIMENSIONS ARE IN MILLIMETERS
 UNLESS OTHERWISE SPECIFIED TOLERANCES
 0.5-6 = ±0.2
 6-30 = ±0.4
 30-120 = ±0.6
 120-315 = ±1
 315-1000 = ±1.6
 1000-2000 = ±2.4

PART NO.	
APPROVED	DATE
CHECKED	DATE
DRAWN	DATE
FILE NO.	F:\DWG\MU\1121A3\LMR400-50\NT3G

Amphenol	
Danbury,CT,USA-Tainan,Taiwan-Shenzhen,China	
TITLE MINI-UHF CRIMP PLUG	
DRAWING NO. MU1121A3-NT3G-LMR400-50	
ITEM NO. 191121AAL40NA5F	

1 2 3 4 5 6 7 8