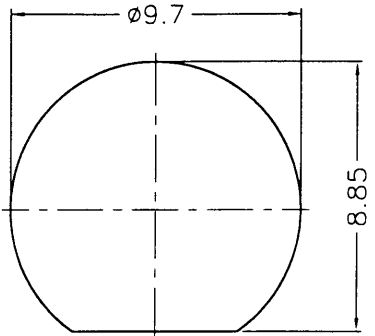
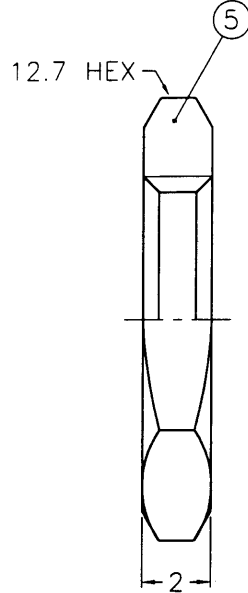
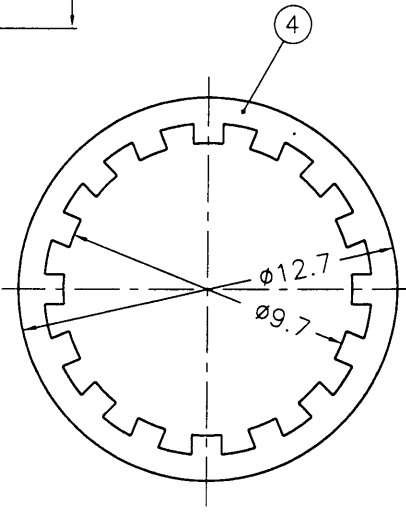
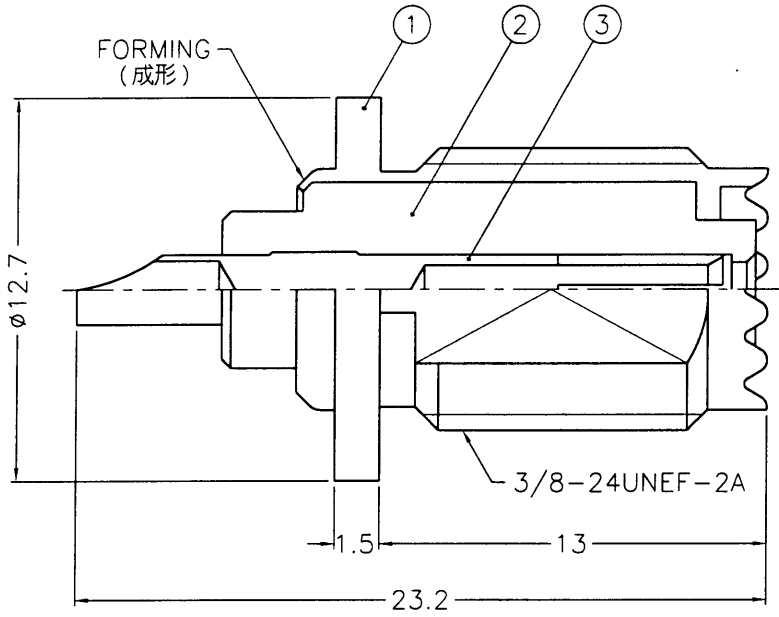


| REVISIONS |      |                              |
|-----------|------|------------------------------|
| ISS       | ZONE | DESCRIPTION\PER REQUEST\DATE |
|           |      |                              |



此改訂



- NOTES: FINISH (PLATING THICKNESS IN MICRO-INCHES)
- BRASS PER QQ-B-626
  - BRASS PER QQ-B-613
  - NICKEL PL. 100 MIN. THICK OVER COPPER STRIKE
  - PHOSPHOR BRONZE PER QQ-B-750
  - GOLD PL. 3 MIN. THICK OVER NICKEL PL. 100 MIN. THICK OVER COPPER STRIKE
  - TEFLON MIL-P-19468

4/12  
88.5.12  
& D

|                                       |             |          |           |                          |             |       |     |       |   |       |                                |
|---------------------------------------|-------------|----------|-----------|--------------------------|-------------|-------|-----|-------|---|-------|--------------------------------|
| DIMENSIONS ARE IN MILLIMETERS         |             | PART NO. |           |                          |             |       |     |       |   |       |                                |
| UNLESS OTHERWISE SPECIFIED TOLERANCES |             | APPROVED | DATE      |                          |             |       |     |       |   |       |                                |
| 0.5-6 = ±0.2                          |             |          | 05-11-99' |                          |             |       |     |       |   |       |                                |
| 6-30 = ±0.4                           |             |          | CHECKED   |                          | DATE        |       |     |       |   |       |                                |
| 30-120 = ±0.6                         |             |          | 05-11-99' |                          |             |       |     |       |   |       |                                |
| 120-315 = ±1                          |             |          | DRAWN     | DATE                     |             |       |     |       |   |       |                                |
| 315-1000 = ±1.6                       |             |          | 05-11-99' |                          |             |       |     |       |   |       |                                |
| 1000-2000 = ±2.4                      |             |          | FILE NO.  | F:\DWG\MU\6451B1\50\NT3G |             |       |     |       |   |       |                                |
| NO.                                   | DESCRIPTION | MATERIAL | FINISH    | Q'TY                     | DRAWING NO. | SCALE | 4/1 | ISSUE | A | TITLE | MINI-UHF BULKHEAD RECEPT. JACK |

|   |             |        |         |   |                |
|---|-------------|--------|---------|---|----------------|
| 5 | HEX NUT     | NOTE 1 | NOTE 3  | 1 | HN127-3/8-24X2 |
| 4 | LOCK WASHER | NOTE 2 | NOTE 3  | 1 | LW-127/97X05   |
| 3 | CONTACT PIN | NOTE 4 | NOTE 5  | 1 | MU7530-3T      |
| 2 | INSULATOR   | NOTE 6 | NATURAL | 1 | MU7531-2T-50   |
| 1 | BODY        | NOTE 1 | NOTE 3  | 1 | MU7531-1       |