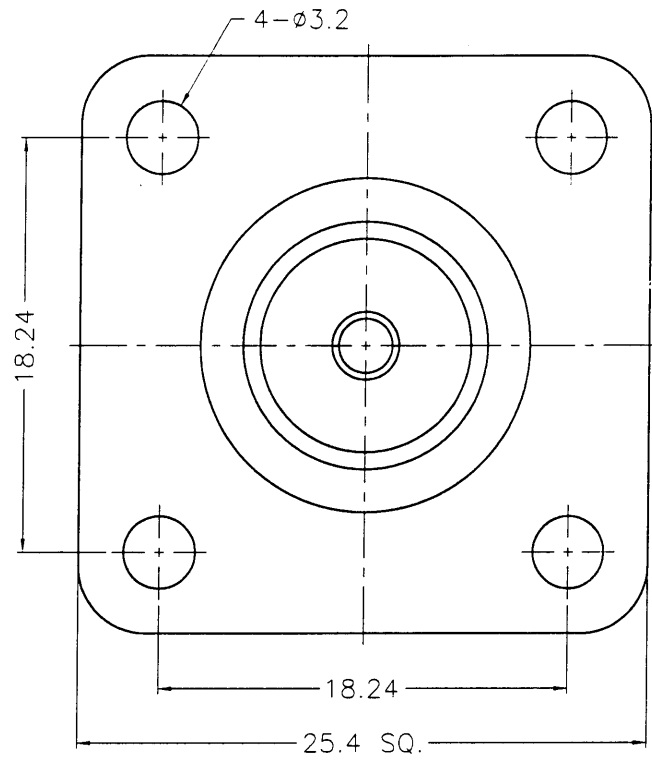
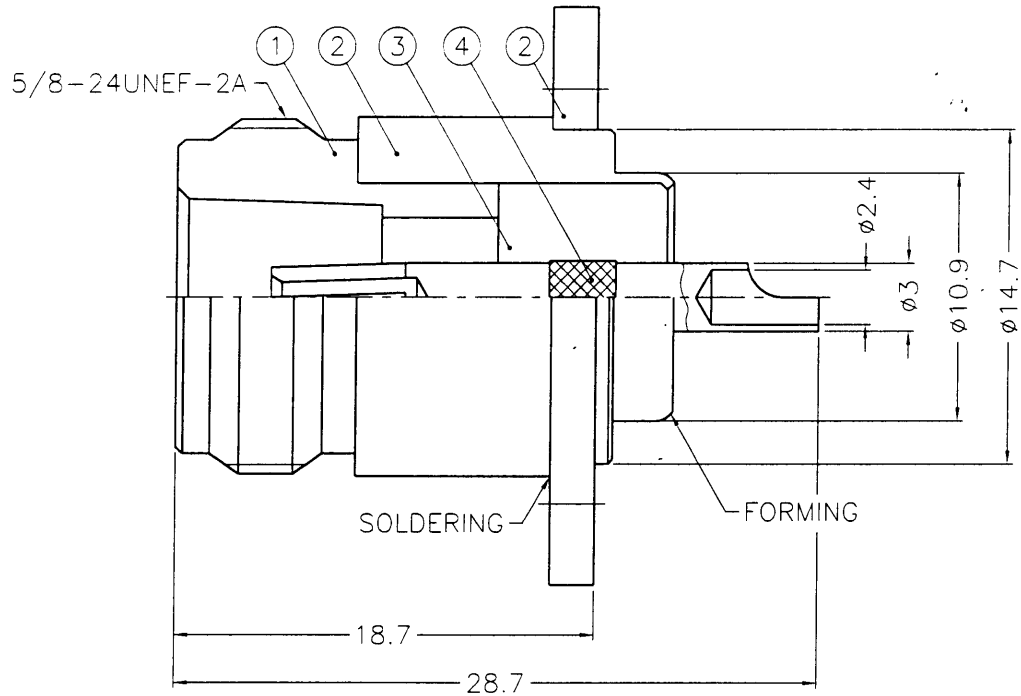


REVISIONS		
ISS	ZONE	DESCRIPTION\APPROVED\DATE

業務部



NOTES: FINISH (PLATING THICKNESS IN MICRO-INCHES)  
 1. BRASS PER QQ-B-626  
 2. NICKEL PL. 100 MIN. THICK OVER COPPER STRIKE  
 3. PHOSPHOR BRONZE PER QQ-B-750  
 4. GOLD PL. 3 MIN. THICK OVER NICKEL PL. 100 MIN. THICK OVER COPPER STRIKE  
 5. TEFLON MIL-P-19468

出圖  
87.11.30  
R&D

DIMENSIONS ARE IN MILLIMETERS						PART NO.		KAI JACK INDUSTRIAL CO., LTD. TAINAN TAIWAN R.O.C.			
4	CONTACT PIN	NOTE 3	NOTE 4	1	N6551A1-4-B	UNLESS OTHERWISE SPECIFIED TOLERANCES 0.5-6 = ±0.2 6-30 = ±0.4 30-120 = ±0.6 120-315 = ±1 315-1000 = ±1.6 1000-2000 = ±2.4		APPROVED	DATE 11-28-98	TITLE	
3	INSULATOR	NOTE 5	NATURAL	1	N6551A1-3T-50-B			CHECKED	DATE 11-28-98	N PANEL RECEPT. JACK	
2	HOUSING WITH PANEL	NOTE 1	NOTE 2	1	N6551A1-2S			DRAWN	DATE 11-28-98	DRAWING NO. KJ-N6551A1-NT3G-50	
1	BODY	NOTE 1	NOTE 2	1	N7900-4			SCALE 3/1 ISSUE A		FILE NO. F:\DWG\N\6551A1\50\NT3G	
NO.	DESCRIPTION	MATERIAL	FINISH	Q'TY	DRAWING NO.						

Mark C  
Mark C  
Betty S