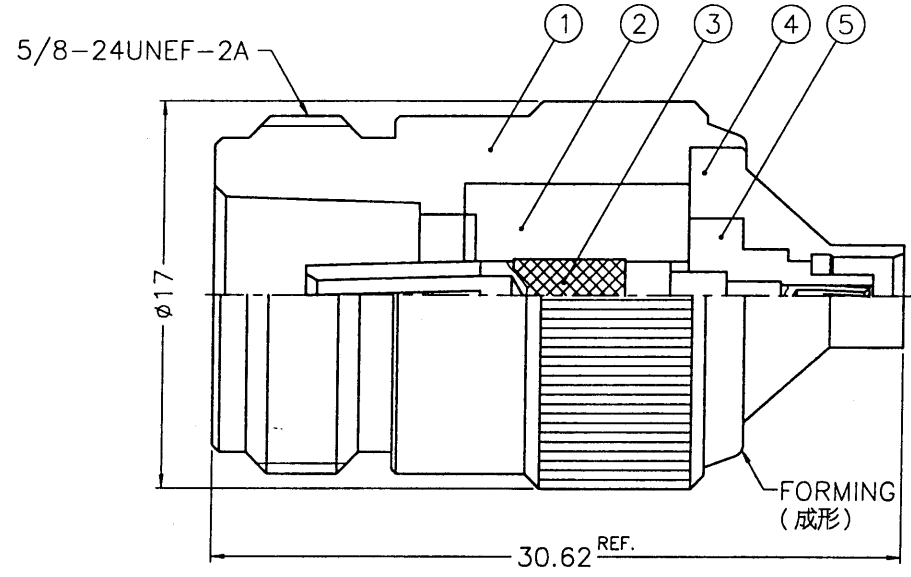


1 2 3 4 5 6 7 8

REVISIONS		
ISS	ZONE	DESCRIPTION\PER REQUEST\DATE

SALES



NOTES: FINISH (PLATING THICKNESS IN MICRO-INCHES)
 1. BRASS PER QQ-B-626
 2. NICKEL PL. 100 MIN. THICK OVER COPPER STRIKE
 3. BERYLLIUM COPPER PER QQ-C-530
 4. GOLD PL. 3 MIN. THICK OVER NICKEL PL. 100 MIN. THICK OVER COPPER STRIKE
 5. TEFLON MIL-P-19468

ISSUED
 2003. 8. 15
 R&D

DIMENSIONS ARE IN MILLIMETERS						PART NO.		Amphenol Danbury,CT,USA-Tainan,Taiwan-Shenzhen,China					
UNLESS OTHERWISE SPECIFIED TOLERANCES						APPROVED	DATE			TITLE			
5	INSULATOR	NOTE 5	NATURAL	1	NS08AAP01A	0.5-6 = ±0.2 6-30 = ±0.4 30-120 = ±0.6 120-315 = ±1 315-1000 = ±1.6 1000-2000 = ±2.4	ANDY C 08-12-03'	N FEMALE TO MCX FEMALE ADAPTOR					
4	CONTACT BODY	NOTE 1	NOTE 2	1	CB08AAB01A				CHECKED	DATE			
3	CONTACT PIN	NOTE 3	NOTE 4	1	CP00ABT01A				ALAN W 08-12-03'	DRAWING NO.			
2	INSULATOR	NOTE 5	NATURAL	1	NS00ABJ08A					DATE	NF-MCXF2-NT3G-50		
1	BODY	NOTE 1	NOTE 2	1	NF-SMAF1-2					DATE	08-12-03'		
NO.	DESCRIPTION	MATERIAL	FINISH	Q'TY	DRAWING NO.	SCALE	3/1	ISSUE	A1	FILE NO.	F:\DWG\NF\MCXF2\50\NT3G	ITEM NO.	03F-08F2-NA-5-F

72D-DR 19070 8

F
E
D
C
B
A

F
E
D
C
B
A

1 2 3 4 5 6 7 8