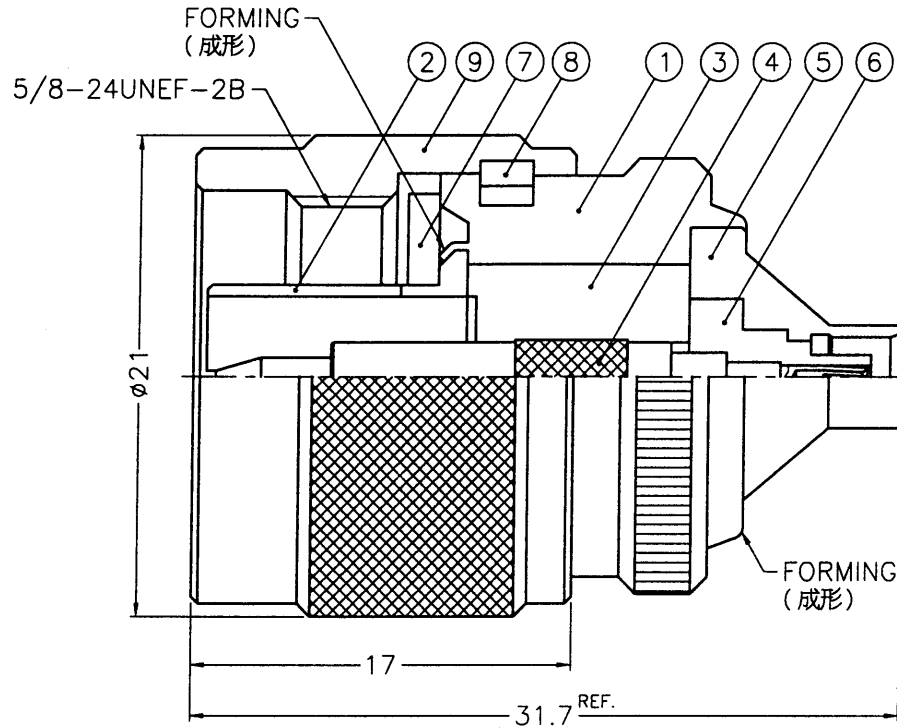


1 2 3 4 5 6 7 8

REVISIONS		
ISS	ZONE	DESCRIPTION\PER REQUEST\DATE

**SALES**



NOTES: FINISH (PLATING THICKNESS IN MICRO-INCHES)  
 1. BRASS PER QQ-B-626  
 2. NICKEL PL. 100 MIN. THICK OVER COPPER STRIKE  
 3. BERYLLIUM COPPER PER QQ-C-530  
 4. GOLD PL. 3 MIN. THICK OVER NICKEL PL. 100 MIN. THICK OVER COPPER STRIKE  
 5. TEFLON MIL-P-19468

ISSUED  
 2001. 11. 27  
 R & D

9	SHELL	NOTE 1	NOTE 2	1	N5000-1-B
8	RETAINER RING	SUS 304	NATURAL	1	N5000-7-C
7	GASKET	SILICONE	RED	1	GS-156/8X15
6	INSULATOR	NOTE 5	NATURAL	1	NS08AAP01A
5	CONTACT BODY	NOTE 1	NOTE 2	1	CB08AAB01A
4	CONTACT PIN	NOTE 3	NOTE 4	1	CP00ACR01A
3	INSULATOR	NOTE 5	NATURAL	1	NS00ABJ08A
2	CONTACT BODY	NOTE 1	NOTE 2	1	N5000-5
1	BODY	NOTE 1	NOTE 2	1	NM-SMAF1-2
NO.	DESCRIPTION	MATERIAL	FINISH	Q'TY	DRAWING NO.

DIMENSIONS ARE IN MILLIMETERS  
 UNLESS OTHERWISE SPECIFIED TOLERANCES  
 0.5-6 = ±0.2  
 6-30 = ±0.4  
 30-120 = ±0.6  
 120-315 = ±1  
 315-1000 = ±1.6  
 1000-2000 = ±2.4

PART NO.	
APPROVED	DATE 11-22-01'
CHECKED	DATE 11-22-01'
DRAWN	DATE 11-22-01'
FILE NO.	F:\DWG\NM\MCXF2\50\NT3G

**Amphenol - Kai Jack**  
 TAINAN TAIWAN

TITLE	N MALE TO MCX FEMALE ADAPTOR
DRAWING NO.	KJ-NM-MCXF2-NT3G-50
ITEM NO.	03M-08F2-NA-5-F

A

A

1 2 3 4 5 6 7 8 RD DR 13270