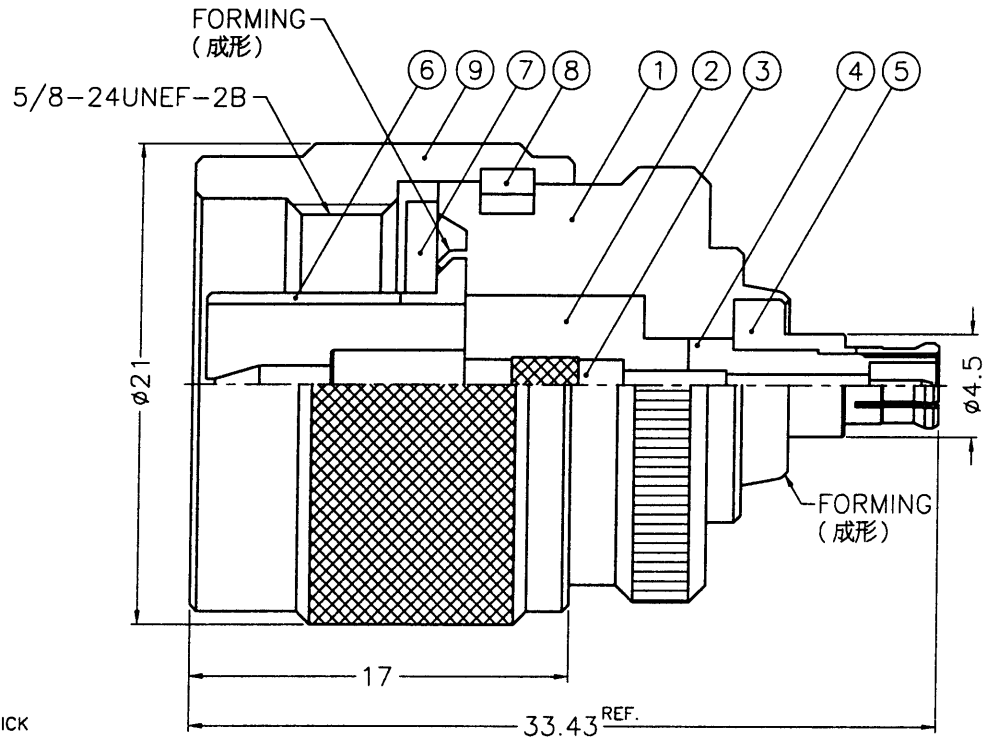


1 2 3 4 5 6 7 8

REVISIONS		
ISS	ZONE	DESCRIPTION\PER REQUEST\DATE

**SALES**



NOTES: FINISH (PLATING THICKNESS IN MICRO-INCHES)  
 1. BRASS PER QQ-B-626  
 2. NICKEL PL. 100 MIN. THICK OVER COPPER STRIKE  
 3. BERYLLIUM COPPER PER QQ-C-530  
 4. GOLD PL. 3 MIN. THICK OVER NICKEL PL. 100 MIN. THICK OVER COPPER STRIKE  
 5. TEFLON MIL-P-19468

ISSUED  
2001. 11. 27  
R & D

ISSUED  
2001. 11. 27  
R & D

9	SHELL	NOTE 1	NOTE 2	1	N5000-1-B
8	RETAINER RING	SUS 304	NATURAL	1	N5000-7-C
7	GASKET	SILICONE	RED	1	GS-156/BX15
6	CONTACT BODY	NOTE 1	NOTE 2	1	N5000-5
5	BODY	NOTE 3	NOTE 2	1	SMAM-MCXM1-5-B
4	INSULATOR	NOTE 5	NATURAL	1	SMAF-MCXM1-2-B
3	CONTACT PIN	NOTE 1	NOTE 4	1	CPO0ADA01A
2	INSULATOR	NOTE 5	NATURAL	1	NS00AGH01A
1	BODY	NOTE 1	NOTE 2	1	BD00ACK01A
NO.	DESCRIPTION	MATERIAL	FINISH	Q'TY	DRAWING NO.

DIMENSIONS ARE IN MILLIMETERS				PART NO.	
UNLESS OTHERWISE SPECIFIED TOLERANCES 0.5-6 = ±0.2 6-30 = ±0.4 30-120 = ±0.6 120-315 = ±1 315-1000 = ±1.6 1000-2000 = ±2.4				APPROVED	DATE
				CHECKED	DATE
				DRAWN	DATE
				FILE NO.	F:\DWG\NM\MCXM2\50\NT3G

Amphenol - Kai Jack	
TAINAN TAIWAN	
TITLE	N MALE TO MCX MALE ADAPTOR
DRAWING NO.	KJ-NM-MCXM2-NT3G-50
ITEM NO.	03M-08M2-NA-5-F

F  
E  
D  
C  
B  
A

F  
E  
D  
C  
B  
A

RDBR/3271