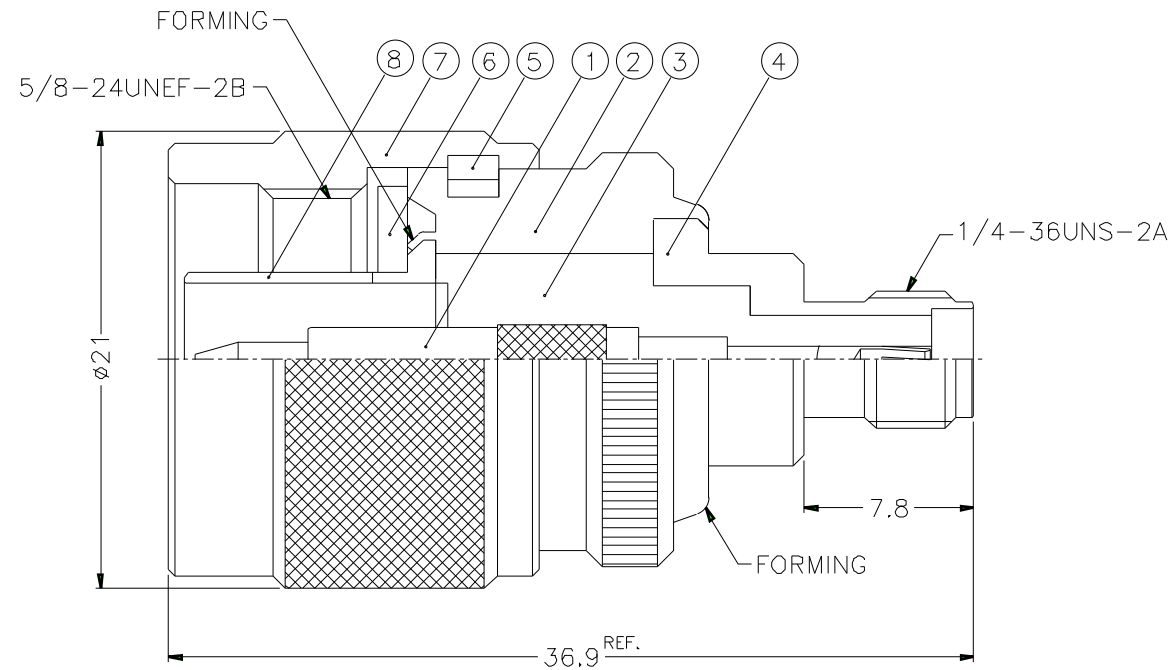


1	2		3	4	5	6	7	8
REVISIONS								
ISS	ZONE	DESCRIPTION\PER REQUEST\DATE						



NOTES: FINISH (PLATING THICKNESS IN MICRO-INCHES)
 1. BRASS PER QQ-B-626
 2. NICKEL PL. 100 MIN. THICK OVER COPPER STRIKE
 3. PHOSPHOR BRONZE PER QQ-B-750
 4. GOLD PL. 3 MIN. THICK OVER NICKEL PL. 100 MIN. THICK OVER COPPER STRIKE
 5. TEFLON MIL-P-19468

8	CONTACT BODY	NOTE 1	NOTE 2	1	N5000-5	DIMENSIONS ARE IN MILLIMETERS UNLESS OTHERWISE SPECIFIED TOLERANCES 0.5-6 = ±0.2 6-30 = ±0.4 30-120 = ±0.6 120-315 = ±1 315-1000 = ±1.6 1000-2000 = ±2.4			PART NO. NM-SMAF1-NT3G-50		<h1>Amphenol</h1> N MALE TO SMA FEMALE ADAPTOR
7	SHELL	NOTE 1	NOTE 2	1	N5000-1-B				APPROVED	DATE 10-11-01'	
6	GASKET	SILICONE	RED	1	GS-156/8X15	CHECKED	DATE 10-11-01'				
5	RETAINER RING	SUS 304	NATURAL	1	N5000-7-C	DRAWN	DATE 10-11-01'				
4	BODY	NOTE 1	NOTE 2	1	NM-SMAF1-4	FILE NO.		DRAWING NO. KJ-NM-SMAF1-NT3G-50			
3	INSULATOR	NOTE 5	NATURAL	1	NM-SMAF1-3T-50	SCALE 3/1		ISSUE	A	ITEM NO.	
2	BODY	NOTE 1	NOTE 2	1	NM-SMAF1-2	3/1		ISSUE	A		
1	CONTACT PIN	NOTE 3	NOTE 4	1	NM-SMAF1-1	3/1		ISSUE	A		

NO.	DESCRIPTION	MATERIAL	FINISH	Q'TY	DRAWING NO.	SCALE	3/1	ISSUE	A	FILE NO.
-----	-------------	----------	--------	------	-------------	-------	-----	-------	---	----------

1	2	3	4	5	6	7	8
---	---	---	---	---	---	---	---