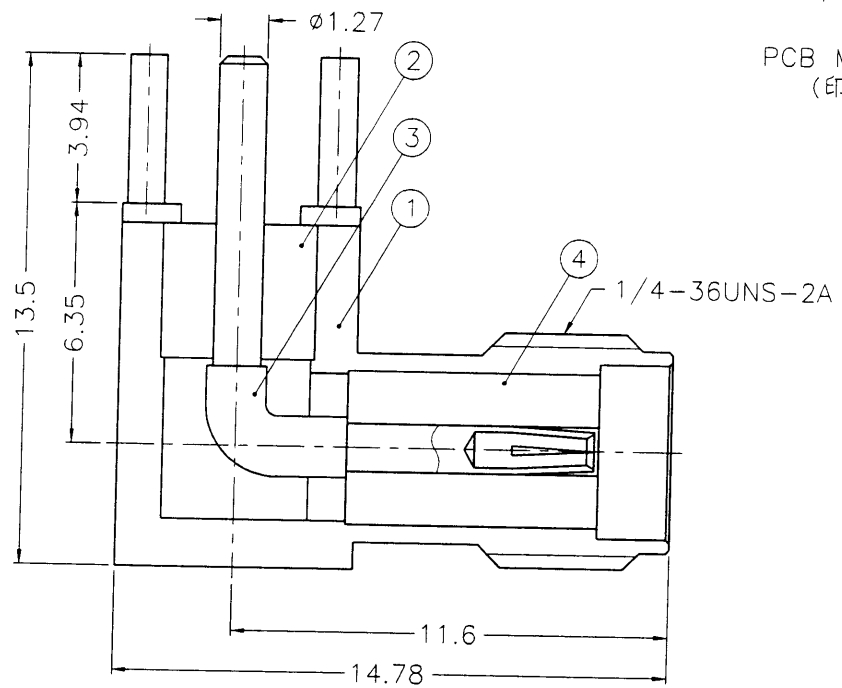
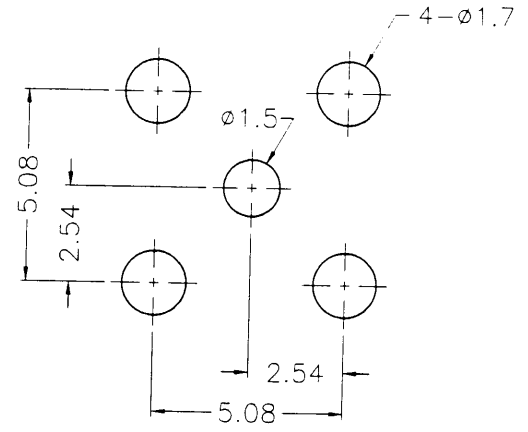
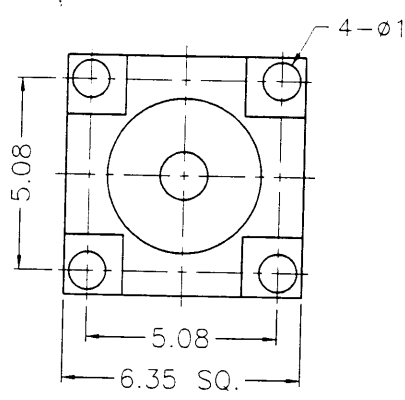


1 2 3 4 5 6 7 8

REVISIONS			
ISS	ZONE	DESCRIPTION\PER REQUEST\DATE	
B	A-1	NO.4 WAS CHANGED\RD-DM89012701B\01-27-00'	

業務印



- NOTES: FINISH (PLATING THICKNESS IN MICRO-INCHES)
- GOLD PL. 3 MIN. THICK OVER NICKEL PL. 100 MIN. THICK OVER COPPER PL. 300 MIN. STRIKE
 - BERYLLIUM COPPER PER QQ-C-530
 - GOLD PL. 50 MIN. THICK OVER NICKEL PL. 100 MIN. THICK OVER COPPER STRIKE
 - TEFLON MIL-P-19468
 - ZINC DIECAST

89.1.28
R & D

DIMENSIONS ARE IN MILLIMETERS				PART NO.	
UNLESS OTHERWISE SPECIFIED TOLERANCES				APPROVED <i>Mark C</i> DATE 01-27-00'	
0.5-6 = ±0.2				CHECKED <i>Coase. W</i> DATE 01-27-00'	
6-30 = ±0.4				DRAWN <i>Betty L</i> DATE 01-27-00'	
30-120 = ±0.6					
120-315 = ±1					
315-1000 = ±1.6					
1000-2000 = ±2.4					
SCALE	5/1	ISSUE	B		

Amphenol - Kai Jack	
TAINAN TAIWAN	
TITLE SMA R/A P.C. MOUNT JACK	
DRAWING NO. KJ-SMA6252D1-3GT50G-50	
FILE NO. F:\DWG\SMA\6252D1\50\3GT50G	

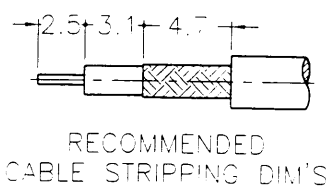
NO.	DESCRIPTION	MATERIAL	FINISH	Q'TY	DRAWING NO.
4	INSULATOR	NOTE 4	NATURAL	1	SMA6252D1-4
3	CONTACT PIN	NOTE 2	NOTE 3	1	SMA6252A2-4
2	INSULATOR	NOTE 4	NATURAL	1	SMA7790-5T-50
1	BODY	NOTE 5	NOTE 1	1	SMA6252D1-1

A

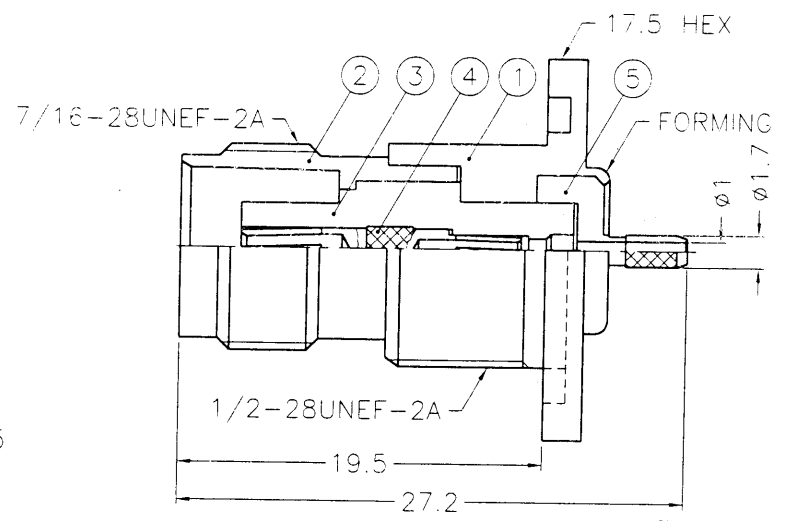
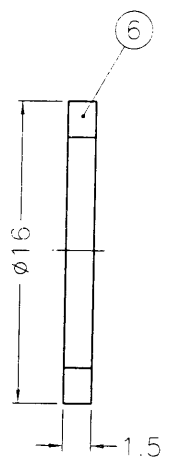
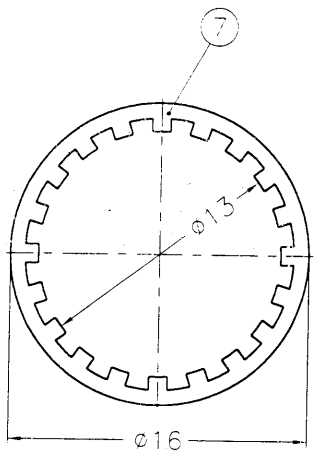
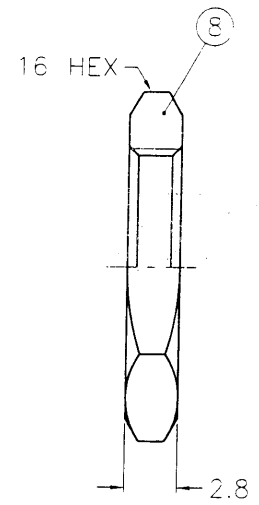
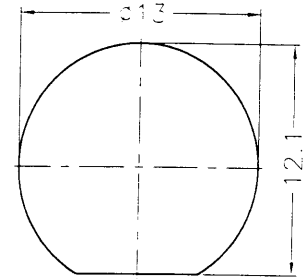
1 2 3 4 5 6 7 8

SMA-D 129/L

REVISIONS			
ISS	ZONE	DESCRIPTION \ PER REQUEST	DATE

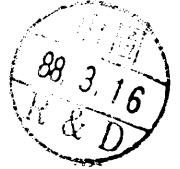


業務部



NOTES: FINISH (PLATING THICKNESS IN MICRO-INCHES)

1. BRASS PER QQ-B-626
2. BRASS PER QQ-B-613
3. NICKEL PL. 100 MIN. THICK OVER COPPER STRIKE
4. PHOSPHOR BRONZE PER QQ-B-750
5. GOLD PL. 3 MIN. THICK OVER NICKEL PL. 100 MIN. THICK OVER COPPER STRIKE



NO.	DESCRIPTION	MATERIAL	FINISH	Q'TY	DRAWING NO.
10	FERRULE	COPPER	NOTE 3	1	FR-38/24X55C
9	CONTACT PIN	NOTE 1	NOTE 5	1	B50003-9-0.4
8	HEX NUT	NOTE 1	NOTE 3	1	HN16-1/2-28X28
7	LOCK WASHER	NOTE 2	NOTE 3	1	LW-16/13X05
6	GASKET	RUBBER	RED	1	GS-16/122X15
5	BARREL	NOTE 1	NOTE 3	1	B6421G1-5-17/1
4	CONTACT PIN	NOTE 4	NOTE 5	1	B6421G1-4-1.05
3	INSULATOR	DELTRIN	NATURAL	1	B6421G1-3-50-5
2	BODY	NOTE 1	NOTE 3	1	T74000-2
1	HOUSING	NOTE 1	NOTE 3	1	B6421G1-1-B

DIMENSIONS ARE IN MILLIMETERS		PART NO.	
UNLESS OTHERWISE SPECIFIED TOLERANCES		APPROVED <i>Mark C</i> DATE 03-15-99	
0.5-6 = ±0.2	6-30 = ±0.4	CHECKED <i>Mark C</i> DATE 03-15-99	
30-120 = ±0.6	120-315 = ±1	DRAWN <i>Betty S</i> DATE 03-15-99	
315-1000 = ±1.6	1000-2000 = ±2.4	TITLE TNC BULKHEAD CRIMP JACK (FOR RG-178B/U, 196A/U)	
SCALE 2.5/1 ISSUE A		DRAWING NO. KJ-T6421G1-ND3G-196AU-50	
		FILE NO. F:\DWG\T\6421G1\196AU-50\ND3G	

KAI JACK INDUSTRIAL CO., LTD.
TAINAN TAIWAN R.O.C.