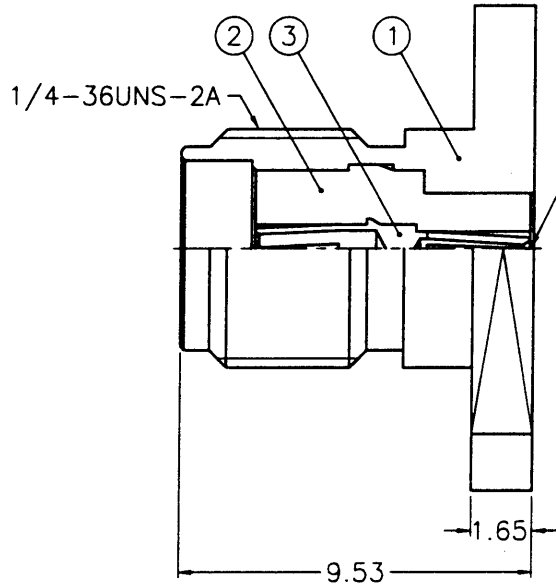


1 2 3 4 5 6 7 8

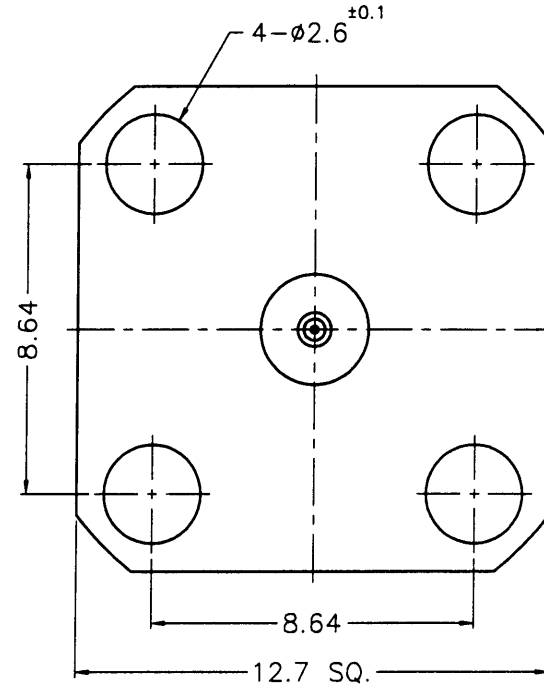
REVISIONS

ISS	ZONE	DESCRIPTION\PER REQUEST\DATE

SALES



ACCEPTS $\phi 0.42^{\pm 0.02}$
 CENTER CONDUCTOR
 (允許 $\phi 0.42^{\pm 0.02}$ 的中心導針)



ISSUED
 2002. 10. 09
 R & D

NOTES: FINISH (PLATING THICKNESS IN MICRO-INCHES)

- BRASS PER QQ-B-626
- BERYLLIUM COPPER PER QQ-C-530
- GOLD PL. 3 MIN. THICK OVER NICKEL PL. 100 MIN. THICK OVER COPPER STRIKE
- GOLD PL. 50 MIN. THICK OVER NICKEL PL. 100 MIN. THICK OVER COPPER STRIKE
- TEFLON MIL-P-19468

NO.	DESCRIPTION	MATERIAL	FINISH	Q'TY	DRAWING NO.
3	CONTACT PIN	NOTE 2	NATURAL	1	SMA6551K1-3-0.46
2	INSULATOR	NOTE 5	NATURAL	1	SMA6551K1-2
1	BODY	NOTE 1	NOTE 3	1	SMA6551K1-1-B

DIMENSIONS ARE IN MILLIMETERS				PART NO.		Amphenol - Kai Jack	
UNLESS OTHERWISE SPECIFIED TOLERANCES 0.5-6 = ± 0.2 6-30 = ± 0.4 30-120 = ± 0.6 120-315 = ± 1 315-1000 = ± 1.6 1000-2000 = ± 2.4				APPROVED	DATE	TAINAN TAIWAN	
				CHECKED	DATE	TITLE SMA PANEL RECEPT. JACK	
				DRAWN	DATE	DRAWING NO. KJ-SMA6551K1-3GT50G-.015-50	
				FILE NO.		ITEM NO.	
				J:\DWG\SMA\6551K1\015-50\3GT50G		116551ACU05GA5F	

7 PD-DR 15659 8