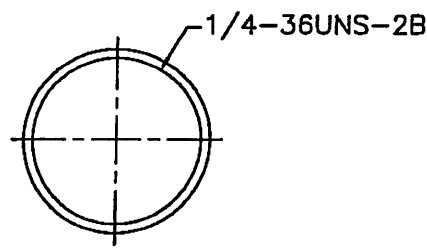
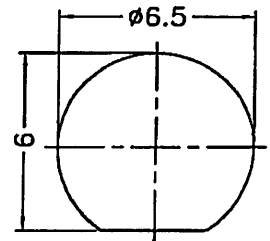


REVISIONS		
ISS	ZONE	DESCRIPTION\PER REQUEST\DATE

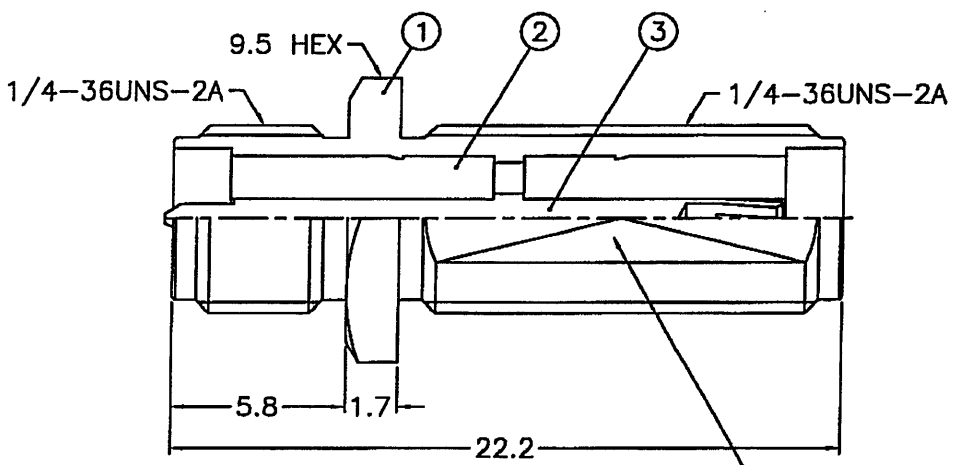


RECOMMENDED MOUNTING HOLE
(建議架設孔)

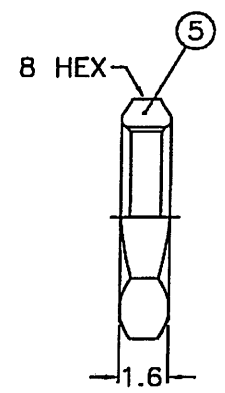
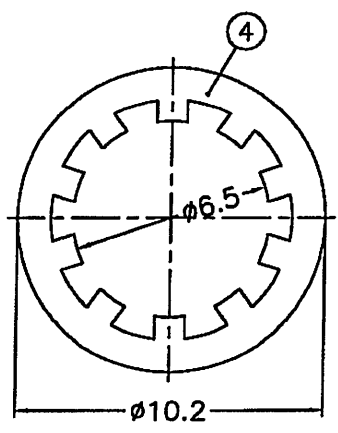


RECOMMENDED MOUNTING HOLE
(建議架設孔)

SALES



5.85 ON FLAT
(平面寬 5.85)



ISSUED
2004 6 01
R&D

NOTES: FINISH (PLATING THICKNESS IN MICRO-INCHES)
 1. BRASS PER QQ-B-626
 2. BRASS PER QQ-B-613
 3. GOLD PL. 3 MIN. THICK OVER NICKEL PL. 100 MIN. THICK OVER COPPER STRIKE
 4. BERYLLIUM COPPER PER QQ-C-530
 5. GOLD PL. 50 MIN. THICK OVER NICKEL PL. 100 MIN. THICK OVER COPPER STRIKE
 6. TEFLON MIL-P-19468

1. MAX. PANEL THICKNESS=6.5mm
 MIN. PANEL THICKNESS=2mm

DIMENSIONS ARE IN MILLIMETERS						PART NO.		Amphenol Danbury,CT,USA-Tainan,Taiwan-Shenzhen,China			
NO.	DESCRIPTION	MATERIAL	FINISH	Q'TY	DRAWING NO.	UNLESS OTHERWISE SPECIFIED TOLERANCES	APPROVED			DATE	TITLE
5	HEX NUT		NOTE 1	NOTE 3	1	HNB-1/4-36X16	0.5-6 = ±0.2	<i>Tom</i>	05-28-04'	SMA BULKHEAD JACK TO SMA REVERSE JACK ADAPTOR	
4	LOCK WASHER		NOTE 2	NOTE 3	1	LW-102/65X05	6-30 = ±0.4	<i>Tom</i>	05-28-04'		
3	CONTACT PIN		NOTE 4	NOTE 5	1	CP11AJY01A	30-120 = ±0.6	<i>Tom</i>	05-28-04'	DRAWING NO.	
2	INSULATOR		NOTE 6	NATURAL	2	SMA7471B1-2T-50	120-315 = ±1	<i>John</i>	05-28-04'	SMAF-RSMAM2-3GT50G-50	
1	BODY		NOTE 1	NOTE 3	1	BD11ACSD01A	315-1000 = ±1.6			ITEM NO.	
							1000-2000 = ±2.4			11F-61M2-GA-5-F	
						SCALE	4/1	ISSUE	A2	FILE NO.	
										F:\DWG\SMF\RSMAM2\50\3GT50G-A2	

720-DR-1688 8