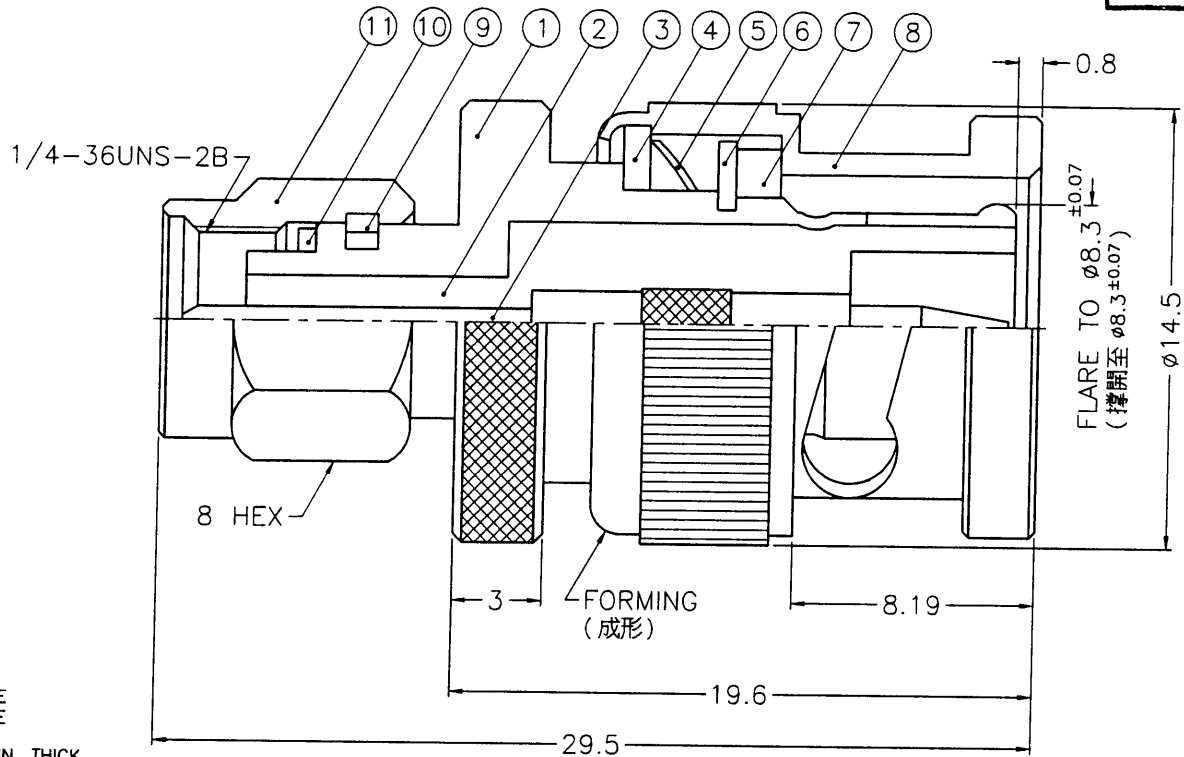


REVISIONS		
ISS	ZONE	DESCRIPTION\PER REQUEST\DATE
A	A-7	SMAM-BM-NT3G-50 WAS ADT-87042807\TONY. T\ 11-09-98'
B	B-1	NO.11 WAS CHANGED\RD-DM89042001C\04-20-00'

業務部



NOTES: FINISH (PLATING THICKNESS IN MICRO-INCHES)  
 1. BRASS PER QQ-B-626  
 2. BRASS PER QQ-B-613  
 3. NICKEL PL. 100 MIN. THICK OVER COPPER STRIKE  
 4. NICKEL PL. 200 MIN. THICK OVER COPPER STRIKE  
 5. BERYLLIUM COPPER PER QQ-C-530  
 6. GOLD PL. 3 MIN. THICK OVER NICKEL PL. 100 MIN. THICK OVER COPPER STRIKE  
 7. TEFLON MIL-P-19468

出圖  
2000. 8. 02  
設計部

11	SHELL	NOTE 1	NOTE 3	1	SMA5000-1-C
10	GASKET	SILICONE	RED		GS-6/43X06
9	RETAINER RING	NOTE 5	NATURAL	1	SMA5000-4-B
8	SHELL	NOTE 1	NOTE 3	1	B50000-1-B
7	GASKET	RUBBER	RED	1	GS-115/8X15
6	RETAINER RING	NOTE 1	NOTE 3	1	B50000-5
5	SPRING	SK5	NOTE 4	1	B50000-6
4	WASHER	NOTE 2	NOTE 3	1	WS-128/9X08
3	CONTACT PIN	NOTE 1	NOTE 6	1	RSA-3459-3
2	INSULATOR	NOTE 7	NATURAL	1	RSA-3459-2
1	BODY	NOTE 1	NOTE 3	1	RSA-3459-1

DIMENSIONS ARE IN MILLIMETERS  
 UNLESS OTHERWISE SPECIFIED TOLERANCES  
 0.5-6 = ±0.2  
 6-30 = ±0.4  
 30-120 = ±0.6  
 120-315 = ±1  
 315-1000 = ±1.6  
 1000-2000 = ±2.4

PART NO.  
 APPROVED *Andy C* DATE 08-01-00'  
 CHECKED *Andy C* DATE 08-01-00'  
 DRAWN *Joene L* DATE 08-01-00'

**Amphenol - Kai Jack**  
 TAINAN TAIWAN

TITLE  
 SMA MALE TO BNC MALE ADAPTOR

DRAWING NO.  
 KJ-SMAM-BM-NT3G-50

FILE NO. F:\DWG\SMAM\BM\50\NT3G