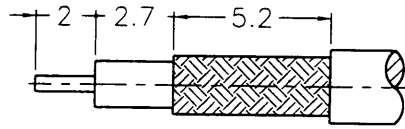


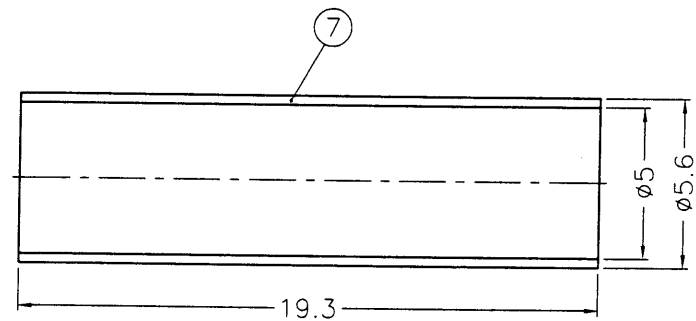
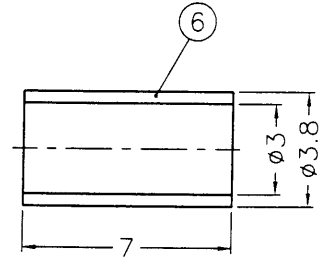
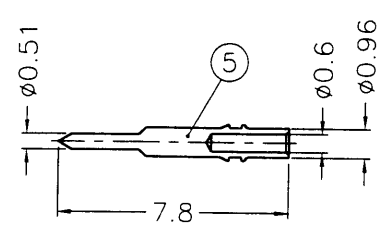
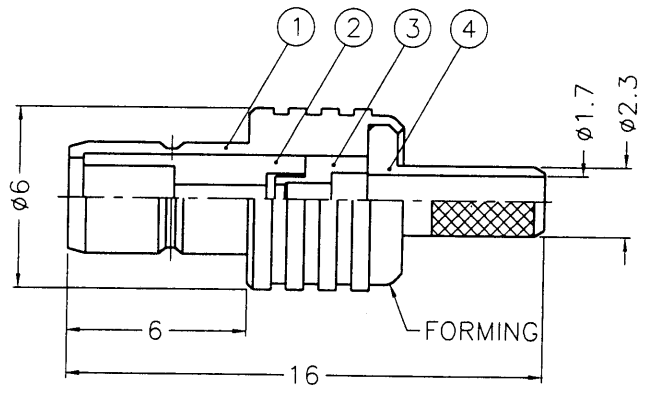
1 2 3 4 5 6 7 8

REVISIONS		
ISS	ZONE	DESCRIPTION\APPROVED\DATE

業務部



RECOMMENDED CABLE STRIPPING DIM'S



- NOTES: FINISH (PLATING THICKNESS IN MICRO-INCHES)
1. BRASS PER QQ-B-626
 2. NICKEL PL. 100 MIN. THICK OVER COPPER STRIKE
 3. GOLD PL. 30 MIN. THICK OVER NICKEL PL. 100 MIN. THICK OVER COPPER STRIKE
 4. TEFLON MIL-P-19468

出圖
87.12.17
R & D

7	HEAT SHRINK TUBING			1	HT-56/5X193
6	FERRULE	COPPER	NOTE 2	1	FR-38/3X7C
5	CONTACT PIN	NOTE 1	NOTE 3	1	SMB1121A1-5-096/06
4	BARREL	NOTE 1	NOTE 2	1	SMB6121A1-4-23/17-C
3	INSULATOR	NOTE 4	NATURAL	1	SMB6121B2-3T-50
2	INSULATOR	NOTE 4	NATURAL	1	SMB1121A1-2T-50
1	BODY	NOTE 1	NOTE 2	1	SMB1121A1-1-B

DIMENSIONS ARE IN MILLIMETERS				PART NO.	
UNLESS OTHERWISE SPECIFIED TOLERANCES				APPROVED <i>Dark C</i> DATE 12-11-98'	
0.5-6	= ±0.2			CHECKED <i>Dark C</i> DATE 12-11-98'	
6-30	= ±0.4			DRAWN <i>Ada</i> DATE 12-11-98'	
30-120	= ±0.6				
120-315	= ±1				
315-1000	= ±1.6				
1000-2000	= ±2.4				

TITLE	SMB CRIMP JACK (FOR RG-174/U,188A/U,316/U)
DRAWING NO.	KJ-SMB1121A1-NT30G-316U-50
FILE NO.	F:\DWG\SMB\1121A1\316U-50\NT30G

F
E
D
C
B
A

F
E
D
C
B
A

1 2 3 4 5 6 7 8

BS/HB/Kob76