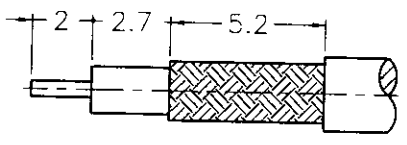


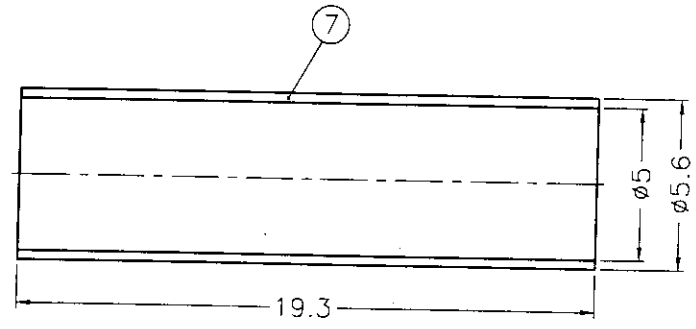
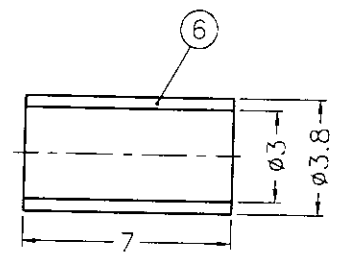
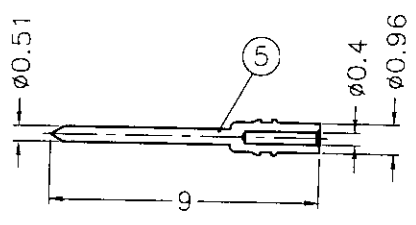
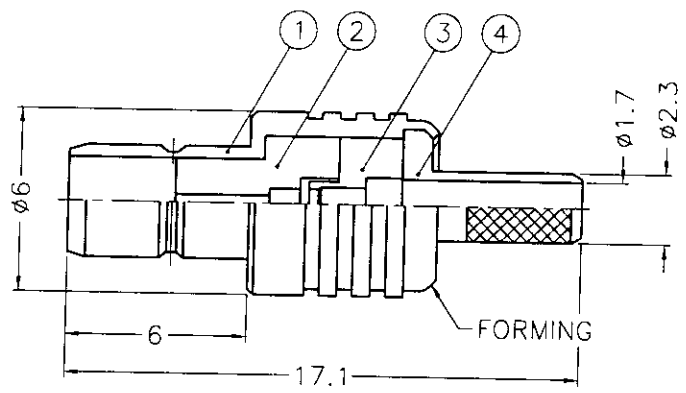
1 2 3 4 5 6 7 8

REVISIONS		
ISS	ZONE	DESCRIPTION\APPROVED\DATE

業務部



RECOMMENDED CABLE STRIPPING DIM'S



NOTES: FINISH (PLATING THICKNESS IN MICRO-INCHES)
 1. BRASS PER QQ-B-626
 2. NICKEL PL. 100 MIN. THICK OVER COPPER STRIKE
 3. GOLD PL. 30 MIN. THICK OVER NICKEL PL. 100 MIN. THICK OVER COPPER STRIKE
 4. TEFLON MIL-P-19468

NO.	DESCRIPTION	MATERIAL	FINISH	Q'TY	DRAWING NO.
7	HEAT SHRINK TUBING			1	HT-56/5X193
6	FERRULE	COPPER	NOTE 2	1	FR-38/3X7C
5	CONTACT PIN	NOTE 1	NOTE 3	1	SMB1121AA-5-096/04
4	BARREL	NOTE 1	NOTE 2	1	SMB6121A1-4-23/17-C
3	INSULATOR	NOTE 4	NATURAL	1	SMB1121AA-3T-75
2	INSULATOR	NOTE 4	NATURAL	1	SMB1121AA-2T-75
1	BODY	NOTE 1	NOTE 2	1	SMB1121AA-1-75

DIMENSIONS ARE IN MILLIMETERS
 UNLESS OTHERWISE SPECIFIED TOLERANCES
 0.5-6 = ±0.2
 6-30 = ±0.4
 30-120 = ±0.6
 120-315 = ±1
 315-1000 = ±1.6
 1000-2000 = ±2.4

PART NO.	
APPROVED	DATE
CHECKED	DATE
DRAWN	DATE

KAI JACK INDUSTRIAL CO., LTD.
 TAINAN TAIWAN R.O.C.

TITLE: MINI 75 OHM SMB CRIMP JACK

DRAWING NO.: KJ-SMB1121AA-NT30G-179U-75

FILE NO.: F:\DWG\SMB\1121AA\179U-75\NT30G

87.8.13 R&D

8SMB-R0619

F
E
D
C
B
A

F
E
D
C
E
A

1 2 3 4 5 6 7 8