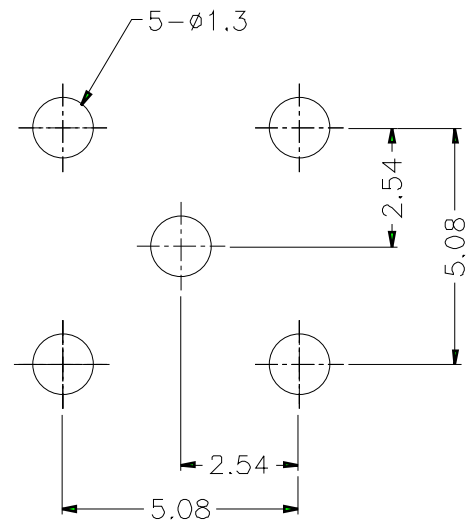
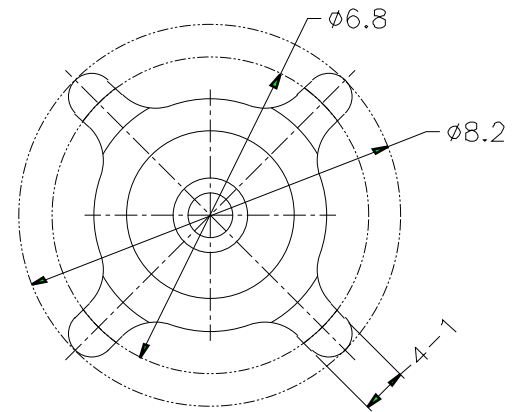
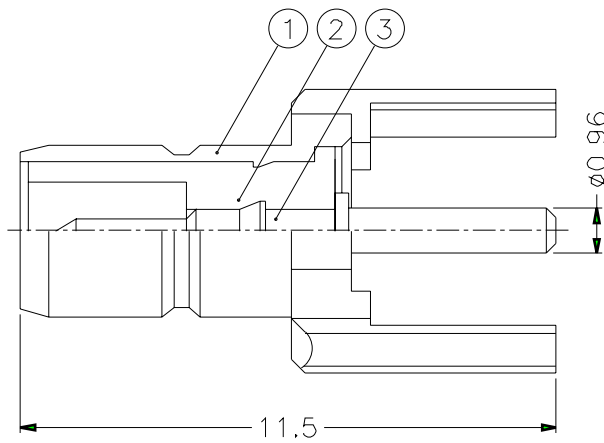


1 2 3 4 5 6 7 8

REVISIONS			
ISS	ZONE	DESCRIPTION\PER REQUEST\DATE	



PCB MOUNTING HOLE  
(印刷电路板架設孔)

NOTES: FINISH (PLATING THICKNESS IN MICRO-INCHES)  
 1. BRASS PER QQ-B-626  
 2. GOLD PL. 3 MIN. THICK OVER NICKEL PL. 100 MIN. THICK OVER COPPER STRIKE  
 3. GOLD PL. 30 MIN. THICK OVER NICKEL PL. 100 MIN. THICK OVER COPPER STRIKE  
 4. TEFLON MIL-P-19468

DIMENSIONS ARE IN MILLIMETERS						PART NO.				<b>Amphenol - Kai Jack</b> TAINAN TAIWAN				
UNLESS OTHERWISE SPECIFIED TOLERANCES						APPROVED		DATE						
3	CONTACT PIN	NOTE 1	NOTE 3	1	SMB7700-3-A	0.5-6 = ±0.2		11-06-01'		TITLE SMB PCB MOUNTING RECEPT. JACK				
2	INSULATOR	NOTE 4	NATURAL	1	SMB7700-2T-50-B	6-30 = ±0.4		11-06-01'		DRAWING NO. KJ-SMB1251A1-3GT30G-50				
1	BODY	NOTE 1	NOTE 2	1	BD12ABF01A	30-120 = ±0.6		11-06-01'		ITEM NO. 121251AAD11GE5F				
						120-315 = ±1								
						315-1000 = ±1.6								
						1000-2000 = ±2.4								
NO.	DESCRIPTION	MATERIAL	FINISH	Q'TY	DRAWING NO.	SCALE	6/1	ISSUE	1	FILE NO.	F:\DWG\SMB\1251A1\50\3GT30G			

1 2 3 4 5 6 7 8