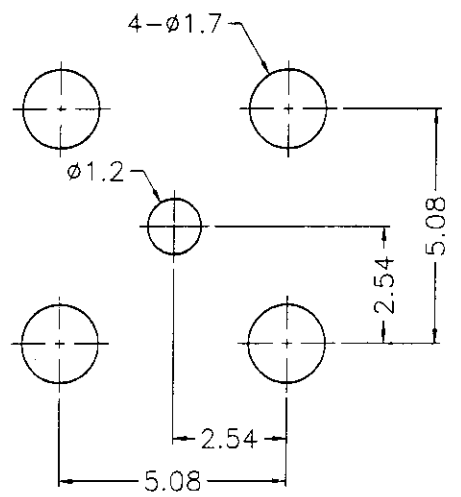
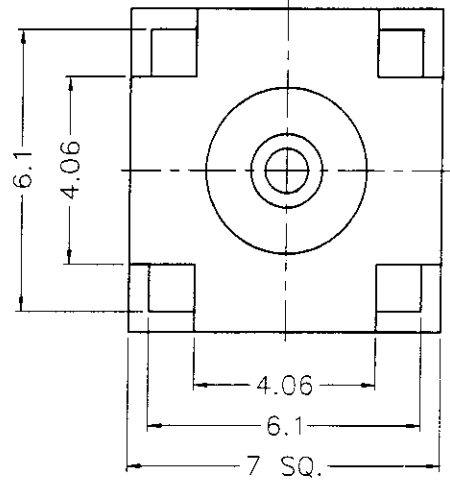
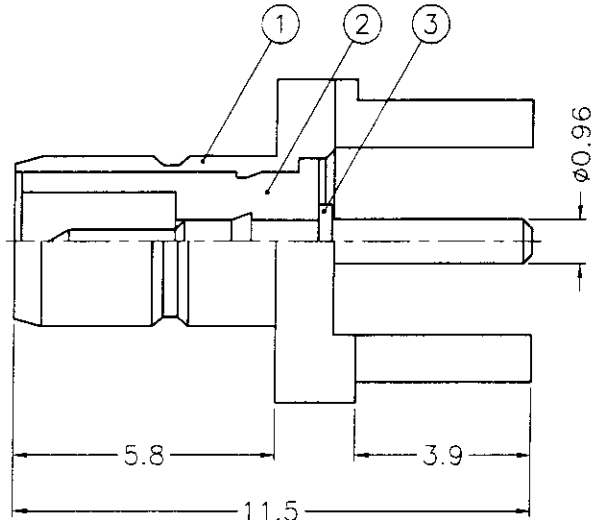




REVISIONS			
ISS	ZONE	DESCRIPTION\PER REQUEST\DATE	
A1	A-7	LOGO WAS CHANGED\N/A\12-05-00'	



PCB MOUNTING HOLE  
(印刷电路板架設孔)



- NOTES: FINISH (PLATING THICKNESS IN MICRO-INCHES)
- BRASS PER QQ-B-626
  - GOLD PL. 3 MIN. THICK OVER NICKEL PL. 100 MIN. THICK OVER COPPER STRIKE
  - GOLD PL. 30 MIN. THICK OVER NICKEL PL. 100 MIN. THICK OVER COPPER STRIKE
  - TEFLON MIL-P-19468



DIMENSIONS ARE IN MILLIMETERS						UNLESS OTHERWISE SPECIFIED TOLERANCES				PART NO.		Amphenol - Kai Jack	
3 CONTACT PIN						0.5-6 = ±0.2				APPROVED <i>Andy C</i>		TAINAN TAIWAN	
2 INSULATOR						6-30 = ±0.4				DATE 12-05-00'		TITLE	
1 BODY						30-120 = ±0.6				CHECKED <i>Andy C</i>		SMB P.C. MOUNT JACK	
NO. DESCRIPTION MATERIAL FINISH Q'TY DRAWING NO.						120-315 = ±1				DATE 12-05-00'		DRAWING NO.	
SCALE 6/1 ISSUE A1						315-1000 = ±1.6				DRAWN <i>Irene S</i>		KJ-SMB1251B1-3GT30G-50	
						1000-2000 = ±2.4				DATE 12-05-00'		FILE NO. F:\DWG\SMB\1251B1\50\3GT30G	