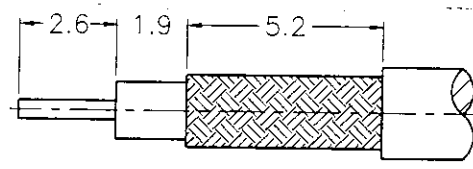
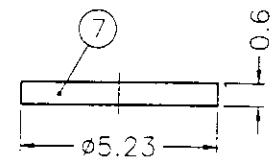


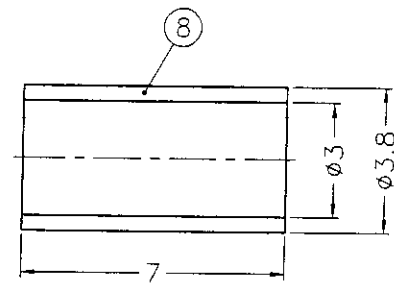
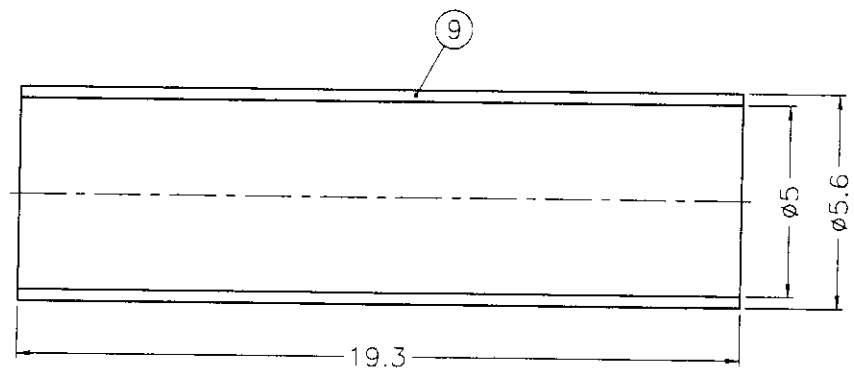
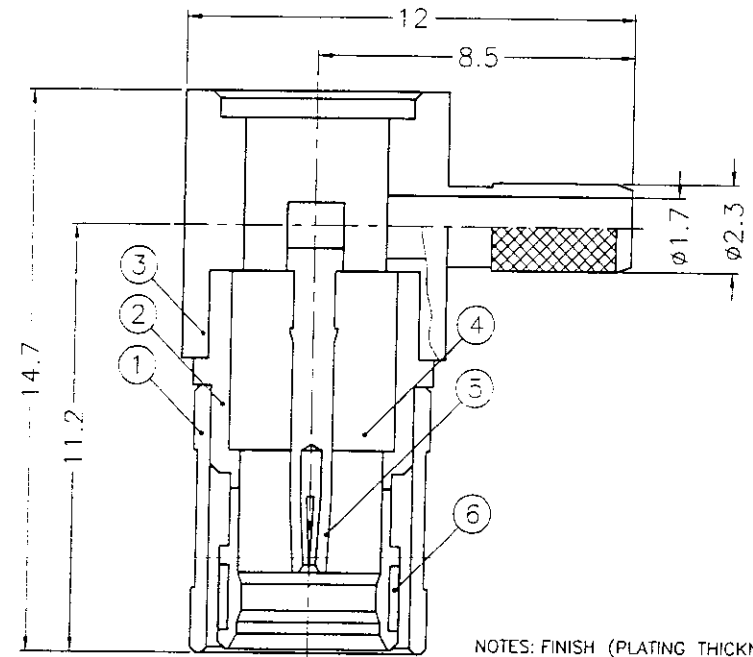
1 2 3 4 5 6 7 8

REVISIONS			
SS	ZONE	DESCRIPTION\PER REQUEST\DATE	
B	A-1	NO.5 WAS CHANGED\RD-DM88090201B\09-02-99'	

業務部



RECOMMENDED  
CABLE STRIPPING DIM'S  
(建議剝線尺寸)



出圖  
2008.8.16

- 1. CRIMPED FERRULE  
HEX CRIMP SIZE .128"
- 2. CONTACT PIN TO SOLDER

- NOTES: FINISH (PLATING THICKNESS IN MICRO-INCHES)
1. BRASS PER QQ-B-626
  2. BRASS PER QQ-B-613
  3. GOLD PL. 3 MIN. THICK OVER NICKEL PL. 100 MIN. THICK OVER COPPER STRIKE
  4. BERYLLIUM COPPER PER QQ-C-530
  5. GOLD PL. 30 MIN. THICK OVER NICKEL PL. 100 MIN. THICK OVER COPPER STRIKE
  6. TEFLON MIL-P-19468

9	HEAT SHRINK TUBING		1	HT-56/5X193
8	FERRULE	COPPER	NCTE 3	1 FR-38/3X7C
7	COVER		NCTE 2	1 CV-523X06-T
6	RETAINER RING		NCTE 4	1 SMB5000-6
5	CONTACT PIN		NCTE 4	1 SMB5090-5-B
4	INSULATOR		NCTE 6	1 SMB6112AA-4T-75
3	BARREL		NCTE 1	1 SMB6112AA-3-23/17
2	BODY		NCTE 1	1 SMB6112AA-2-75
1	SHELL		NCTE 1	1 SMB5000-1

DIMENSIONS ARE IN MILLIMETERS  
UNLESS OTHERWISE SPECIFIED TOLERANCES

0.5-6	= ±0.2
6-30	= ±0.4
30-120	= ±0.6
120-315	= ±1
315-1000	= ±1.6
1000-2000	= ±2.4

PART NO.	
APPROVED	DATE 08-16-00'
CHECKED	DATE 08-16-00'
DRAWN	DATE 08-16-00'

Amphenol - Kai Jack	
TAINAN TAIWAN	
TITLE	MINI 75 OHM SMB R/A CRIMP PLUG
DRAWING NO.	KJ-SMB6112AA-3GT30G-179U-75
FILE NO.	F:\DWG\SMB\6112AA\179U-75\3GT30G

1 2 3 4 5 6 7 8