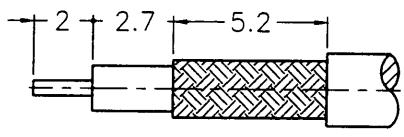
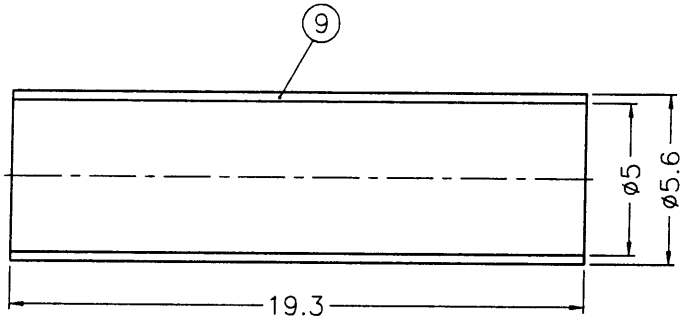
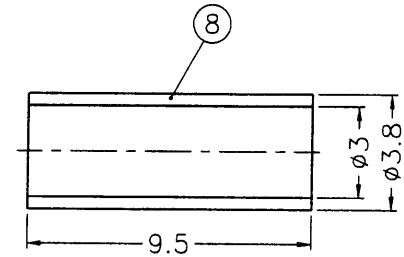
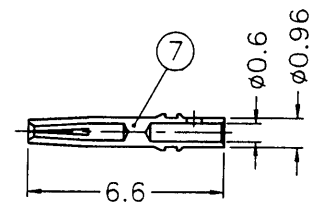
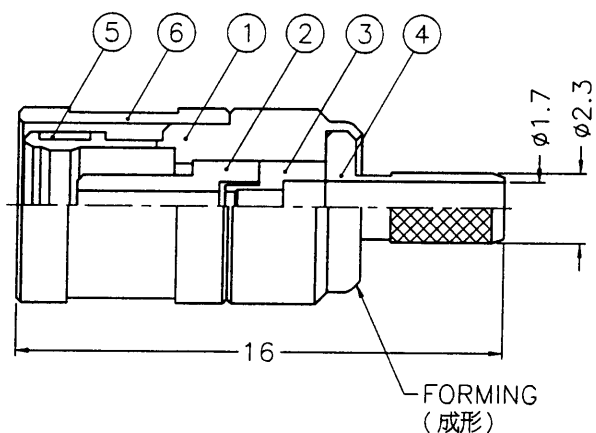


REVISIONS			
ISS	ZONE	DESCRIPTION	PER REQUEST\DATE
B	B-1	NO.7 WAS CHANGED	RD-DM88090201B\09-02-99'

業務部



RECOMMENDED
CABLE STRIPPING DIM'S
(建議剝線尺寸)



2000. 9. 15

- NOTES: FINISH (PLATING THICKNESS IN MICRO-INCHES)
1. BRASS PER QQ-B-626
 2. GOLD PL. 3 MIN. THICK OVER NICKEL PL. 100 MIN. THICK OVER COPPER STRIKE
 3. BERYLLIUM COPPER PER QQ-C-530
 4. GOLD PL. 30 MIN. THICK OVER NICKEL PL. 100 MIN. THICK OVER COPPER STRIKE
 5. TEFLON MIL-P-19468

1. CRIMPED FERRULE
HEX CRIMP SIZE .128"
2. CONTACT PIN TO SOLDER

9	HEAT SHRINK TUBING			1	HT-56/5X193
8	FERRULE	COPPER	NOTE 2	1	FR-38/3X95C
7	CONTACT PIN	NOTE 3	NOTE 4	1	SMB6121B2-5-096/06-D
6	SHELL	NOTE 1	NOTE 2	1	SMB5000-1
5	RETAINER RING	NOTE 3	NATURAL	1	SMB5000-6
4	BARREL	NOTE 1	NOTE 2	1	SMB6121A1-4-23/17-C
3	INSULATOR	NOTE 5	NATURAL	1	SMB6121B2-3T-50
2	INSULATOR	NOTE 5	NATURAL	1	SMB6121A1-2T-50
1	BODY	NOTE 1	NOTE 2	1	SMB6121A1-1-B

DIMENSIONS ARE IN MILLIMETERS				PART NO.	
UNLESS OTHERWISE SPECIFIED TOLERANCES				APPROVED <i>Andy.C</i> DATE 09-13-00'	
0.5-6 = ±0.2				CHECKED <i>Andy.C</i> DATE 09-13-00'	
6-30 = ±0.4				DRAWN <i>Ironel</i> DATE 09-13-00'	
30-120 = ±0.6					
120-315 = ±1					
315-1000 = ±1.6					
1000-2000 = ±2.4					
SCALE	4/1	ISSUE	B		

Amphenol - Kai Jack
TAINAN TAIWAN

TITLE
SMB CRIMP PLUG
(FOR RG-174/U,188A/U,316/U)

DRAWING NO.
KJ-SMB6121A1-003-3GT30G

FILE NO. F:\DWG\SMB\6121A1\003\3GT30G

F
E
D
C
B
A

F
E
D
C
B
A