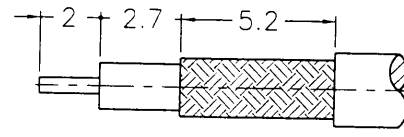
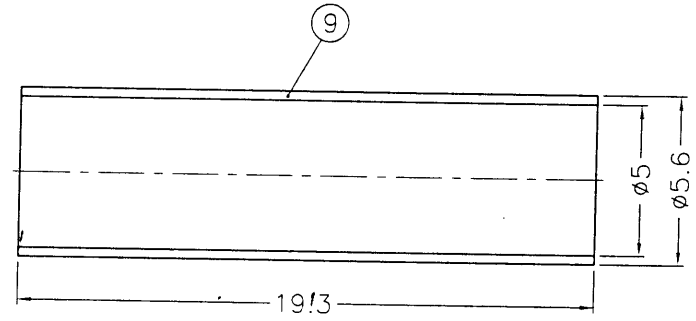
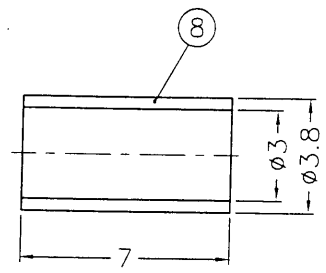
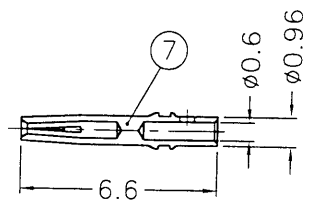
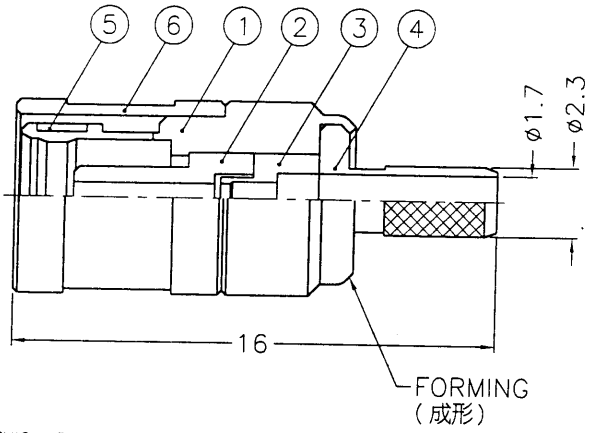


1 2 3 4 5 6 7 8

REVISIONS		
ISS	ZONE	DESCRIPTION\PER REQUEST\DATE
B	B-1	NO.7 WAS CHANGED\RD-DM88090201B\09-02-99'



RECOMMENDED  
CABLE STRIPPING DIM'S  
(建議剝線尺寸)



NOTES: FINISH (PLATING THICKNESS IN MICRO-INCHES)  
 1. BRASS PER QQ-B-626  
 2. GOLD PL. 3 MIN. THICK OVER NICKEL PL. 100 MIN. THICK OVER COPPER STRIKE  
 3. BERYLLIUM COPPER PER QQ-C-530  
 4. GOLD PL. 30 MIN. THICK OVER NICKEL PL. 100 MIN. THICK OVER COPPER STRIKE  
 5. TEFLON MIL-P-19468

FORMING  
(成形)

1. CRIMPED FERRULE  
HEX CRIMP SIZE .128"

NO.	DESCRIPTION	MATERIAL	FINISH	Q'TY	DRAWING NO.
9	HEAT SHRINK TUBING			1	HT-56/5X193
8	FERRULE	COPPER	NOTE 2	1	FR-38/3X7C
7	CONTACT PIN	NOTE 3	NOTE 4	1	SMB6121B2-5-096/06-D
6	SHELL	NOTE 1	NOTE 2	1	SMB5000-1
5	RETAINER RING	NOTE 3	NATURAL	1	SMB5000-6
4	BARREL	NOTE 1	NOTE 2	1	SMB6121A1-4-23/17-C
3	INSULATOR	NOTE 5	NATURAL	1	SMB6121B2-3T-50
2	INSULATOR	NOTE 5	NATURAL	1	SMB6121A1-2T-50
1	BODY	NOTE 1	NOTE 2	1	SMB6121A1-1-B

DIMENSIONS ARE IN MILLIMETERS  
 UNLESS OTHERWISE SPECIFIED TOLERANCES  
 0.5-6 = ±0.2  
 6-30 = ±0.4  
 30-120 = ±0.6  
 120-315 = ±1  
 315-1000 = ±1.6  
 1000-2000 = ±2.4

PART NO.	
APPROVED	DATE 09-08-99'
CHECKED	DATE 09-08-99'
DRAWN	DATE 09-08-99'

Amphenol - Kai Jack	
TAINAN TAIWAN	
TITLE	SMB CRIMP PLUG (FOR RG-174/U,188A/U,316/U)
DRAWING NO.	KJ-SMB6121A1-3GT30G-316U-50
FILE NO.	F:\DWG\SMB\6121A1\316U-50\3GT30G

A

1 2 3 4 5 6 7 8

SMBR0801