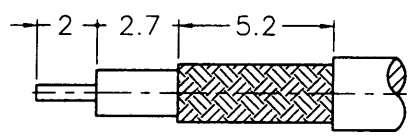


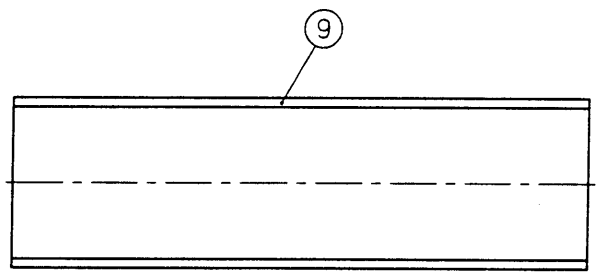
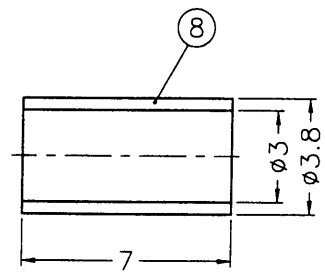
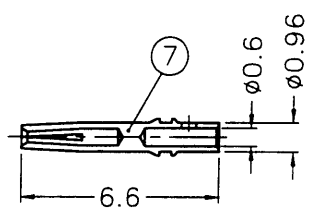
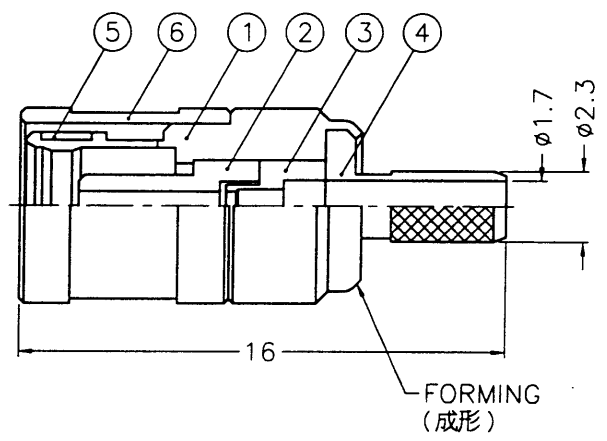
1 2 3 4 5 6 7 8

REVISIONS			
ISS	ZONE	DESCRIPTION\PER REQUEST\DATE	
B	B-1	NO.7 WAS CHANGED\RD-DM88090201B\09-02-99'	
B1	B-7	ACCOUNT WAS CHANGED\N/A\10-30-02'	

SALES



RECOMMENDED
CABLE STRIPPING DIM'S
(建議剝線尺寸)



ISSUED
2002. 11. 01
R&D

1. CRIMPED FERRULE
HEX CRIMP SIZE .128"
2. CONTACT PIN TO SOLDER

NOTES: FINISH (PLATING THICKNESS IN MICRO-INCHES)
 1. BRASS PER QQ-B-626
 2. NICKEL PL. 100 MIN. THICK OVER COPPER STRIKE
 3. BERYLLIUM COPPER PER QQ-C-530
 4. GOLD PL. 30 MIN. THICK OVER NICKEL PL. 100 MIN. THICK OVER COPPER STRIKE
 5. TEFLON MIL-P-19468

9	HEAT SHRINK TUBING			1	HT-56/5X193
8	FERRULE	COPPER	NOTE 2	1	FR-38/3X7C
7	CONTACT PIN	NOTE 3	NOTE 4	1	SMB6121B2-5-096/06-D
6	SHELL	NOTE 1	NOTE 2	1	SMB5000-1
5	RETAINER RING	NOTE 3	NATURAL	1	SMB5000-6
4	BARREL	NOTE 1	NOTE 2	1	SMB6121A1-4-23/17-C
3	INSULATOR	NOTE 5	NATURAL	1	SMB6121B2-3T-50
2	INSULATOR	NOTE 5	NATURAL	1	SMB6121A1-2T-50
1	BODY	NOTE 1	NOTE 2	1	SMB6121A1-1-B

DIMENSIONS ARE IN MILLIMETERS				PART NO.	
UNLESS OTHERWISE SPECIFIED TOLERANCES				APPROVED	DATE
0.5-6	= ±0.2			<i>Loel</i>	10-30-02'
6-30	= ±0.4			CHECKED	DATE
30-120	= ±0.6			<i>Loel</i>	10-30-02'
120-315	= ±1			DRAWN	DATE
315-1000	= ±1.6			<i>Loel</i>	10-30-02'
1000-2000	= ±2.4				
SCALE	4/1	ISSUE	B1	FILE NO.	F:\DWG\SMB\6121A1\316U-50\NT30G

Amphenol	
Danbury,CT,USA-Tainan,Taiwan-Shenzhen,China	
TITLE SMB CRIMP PLUG (FOR RG-174/U,188A/U,316/U)	
DRAWING NO. KJ-SMB6121A1-NT30G-316U-50	
ITEM NO. 126111AAB36NC5F	

F
E
D
C
B
A

F
E
D
C
B
A