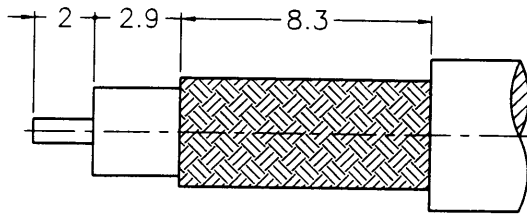
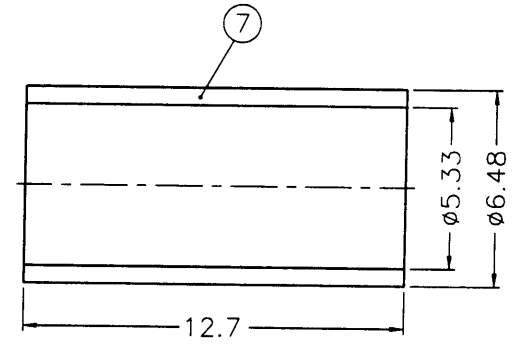
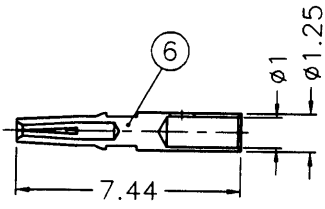
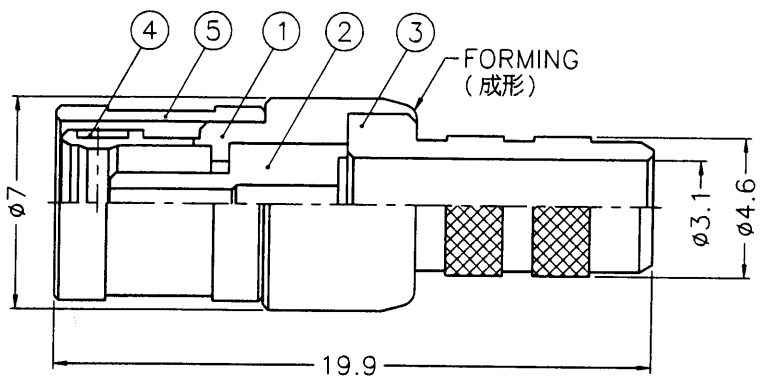


REVISIONS		
ISS	ZONE	DESCRIPTION\PER REQUEST\DATE



RECOMMENDED
CABLE STRIPPING DIM'S
(建議剝線尺寸)



- NOTES: FINISH (PLATING THICKNESS IN MICRO-INCHES)
1. BRASS PER QQ-B-626
 2. GOLD PL. 3 MIN. THICK OVER NICKEL PL. 100 MIN. THICK OVER COPPER STRIKE
 3. BERYLLIUM COPPER PER QQ-C-530
 4. GOLD PL. 30 MIN. THICK OVER NICKEL PL. 100 MIN. THICK OVER COPPER STRIKE
 5. TEFLON MIL-P-19468



1. CRIMPED FERRULE
HEX CRIMP SIZE .213"

NO.	DESCRIPTION	MATERIAL	FINISH	Q'TY	DRAWING NO.
7	FERRULE	COPPER	NOTE 2	1	FR-648/533X 127C
6	CONTACT PIN	NOTE 3	NOTE 4	1	SMB6121A2-6-125/1
5	SHELL	NOTE 1	NOTE 2	1	SMB5000-1
4	RETAINER RING	NOTE 3	NATURAL	1	SMB5000-6
3	BARREL	NOTE 1	NOTE 2	1	SMB6121A2-3-46/31
2	INSULATOR	NOTE 5	NATURAL	1	SMB6121A2-2T-50
1	BODY	NOTE 1	NOTE 2	1	SMB6121A2-1

DIMENSIONS ARE IN MILLIMETERS			
UNLESS OTHERWISE SPECIFIED TOLERANCES			
0.5-6	=	±0.2	
6-30	=	±0.4	
30-120	=	±0.6	
120-315	=	±1	
315-1000	=	±1.6	
1000-2000	=	±2.4	
SCALE	4/1	ISSUE	A

PART NO.	
APPROVED	DATE
CHECKED	DATE
DRAWN	DATE

Amphenol - Kai Jack TAINAN TAIWAN	
TITLE SMB CRIMP PLUG	
DRAWING NO. KJ-SMB6121A2-3GT30G-58U-50	
FILE NO. F:\DWG\SMB\6121A2\58U-50\3GT30G	

F
E
D
C
B
A

F
E
D
C
B
A