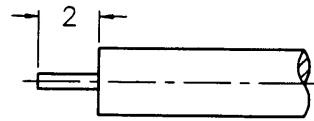
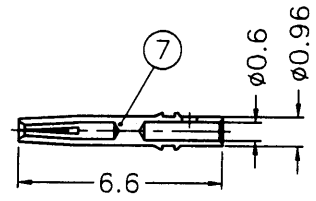
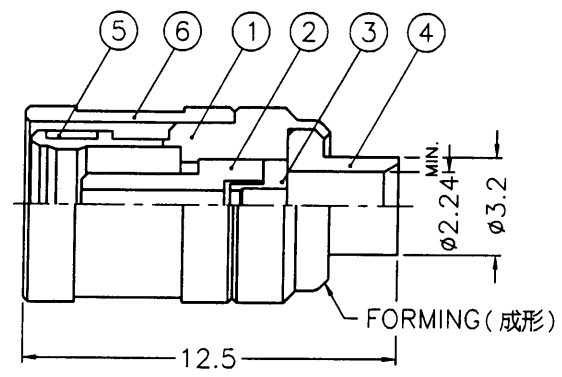


| REVISIONS | | |
|-----------|------|------------------------------|
| ISS | ZONE | DESCRIPTION\PER REQUEST\DATE |
| | | |

業務部



RECOMMENDED
CABLE STRIPPING DIM'S
(建議剝線尺寸)



NOTES: FINISH (PLATING THICKNESS IN MICRO-INCHES)
 1. BRASS PER QQ-B-626
 2. GOLD PL. 3 MIN. THICK OVER NICKEL PL. 100 MIN. THICK OVER COPPER STRIKE
 3. BERYLLIUM COPPER PER QQ-C-530
 4. GOLD PL. 30 MIN. THICK OVER NICKEL PL. 100 MIN. THICK OVER COPPER STRIKE
 5. TEFLON MIL-P-19468

出圖
89.7.13
設計部

| 7 | CONTACT PIN | NOTE 3 | NOTE 4 | 1 | SMB6121B2-5-096/06-D |
|-----|---------------|----------|---------|------|----------------------|
| 6 | SHELL | NOTE 1 | NOTE 2 | 1 | SMB5000-1 |
| 5 | RETAINER RING | NOTE 3 | NATURAL | 1 | SMB5000-6 |
| 4 | BARREL | NOTE 1 | NOTE 2 | 1 | SMB6181A1-4-32/224-B |
| 3 | INSULATOR | NOTE 5 | NATURAL | 1 | SMB6181A1-3T-50 |
| 2 | INSULATOR | NOTE 5 | NATURAL | 1 | SMB6121A1-2T-50 |
| 1 | BODY | NOTE 1 | NOTE 2 | 1 | SMB6181A1-1-B |
| NO. | DESCRIPTION | MATERIAL | FINISH | Q'TY | DRAWING NO. |

DIMENSIONS ARE IN MILLIMETERS
 UNLESS OTHERWISE SPECIFIED TOLERANCES
 0.5-6 = ±0.2
 6-30 = ±0.4
 30-120 = ±0.6
 120-315 = ±1
 315-1000 = ±1.6
 1000-2000 = ±2.4

| PART NO. | |
|----------|----------------|
| APPROVED | DATE 07-12-00' |
| CHECKED | DATE 07-12-00' |
| DRAWN | DATE 07-12-00' |

| Amphenol - Kai Jack | |
|---------------------|---|
| TAINAN TAIWAN | |
| TITLE | SMB DIRECT SOLDER PLUG (FOR .085", .086") |
| DRAWING NO. | KJ-SMB6181A1-3GT30G-.085-50 |
| FILE NO. | F:\DWG\SMB\6181A1\085-50\3GT30G |

F
E
D
C
B
A

F
E
D
C
B
A