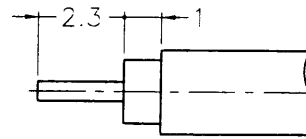


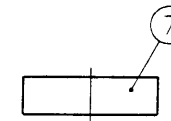
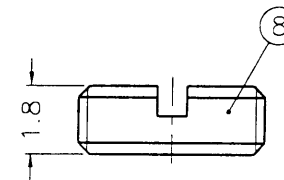
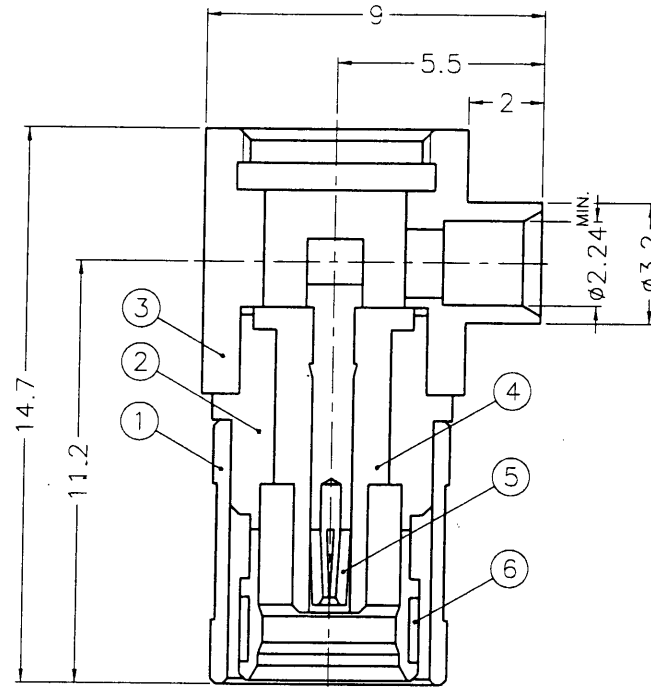
1 2 3 4 5 6 7 8

REVISIONS			
ISS	ZONE	DESCRIPTION	APPROVED \ DATE

業務部



RECOMMENDED
CABLE STRIPPING DIM'S



- NOTES: 1. PER KAI JACK SPEC. EP-SS-9700
 2. BRASS PER QQ-B-626
 3. BERYLLIUM COPPER PER QQ-C-530
 4. TEFLON MIL-P-19462

出圖
87.3.20
R&D

NO.	DESCRIPTION	MATERIAL	FINISH	Q'TY	DRAWING NO.
8	COVER	NOTE 2	NOTE 1	1	DMT-2004-004N-8
7	INSULATOR	PE	NATURAL	1	SMB5090-7
6	RETAINER RING	NOTE 3	NATURAL	1	SMB5000-6
5	CONTACT PIN	NOTE 3	NOTE 1	1	SMB5090-5-A
4	INSULATOR	NOTE 4	NATURAL	1	SMB5090-4T-50
3	HOUSING	NOTE 2	NOTE 1	1	SMB6182A1-3-32/224
2	BODY	NOTE 2	NOTE 1	1	SMB5090-2-A
1	SHELL	NOTE 2	NOTE 1	1	SMB5000-1

DIMENSIONS ARE IN MILLIMETERS				PART NO.	
UNLESS OTHERWISE SPECIFIED TOLERANCES				APPROVED	DATE
0.5-6	= ±0.2			<i>Tommy J</i>	03-04-98'
6-30	= ±0.4			CHECKED	DATE
30-120	= ±0.6			<i>Galden W</i>	03-04-98'
120-315	= ±1			DRAWN	DATE
315-1000	= ±1.6			<i>Andy C</i>	03-04-98'
1000-2000	= ±2.4				

KAI JACK INDUSTRIAL CO., LTD.
TAINAN TAIWAN R.O.C.

TITLE: SMB R/A DIRECT SOLDER PLUG

DRAWING NO.: KJ-SMB6182A1-.085-50

FILE NO.: F:\DWG\SMB\6182A1\085-50

A

A

1 2 3 4 5 6 7 8 SMB-R0550