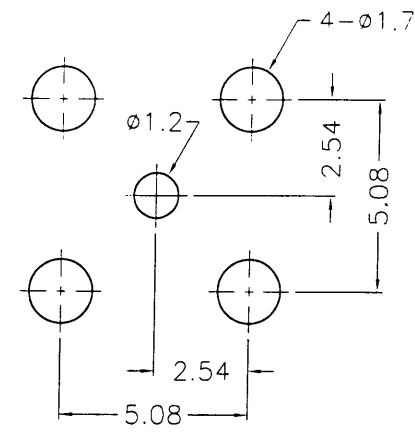
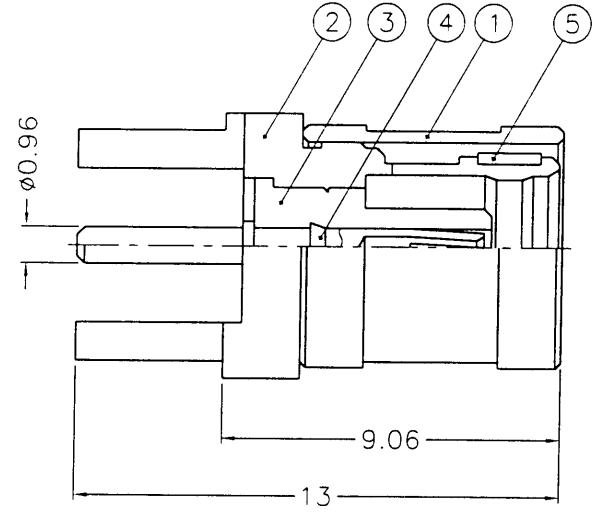
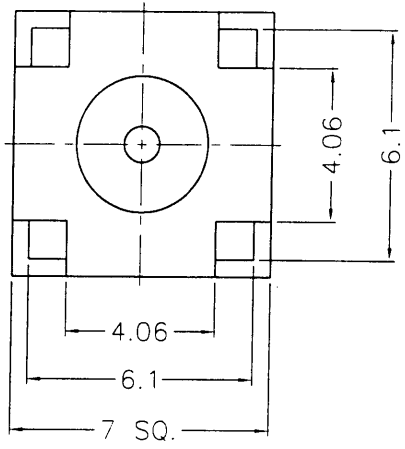


1 2 3 4 5 6 7 8

REVISIONS		
ISS	ZONE	DESCRIPTION\PER REQUEST\DATE
B	A-1	NO.4 WAS CHANGED\RD-DM88090201B\09-02-99'

業務部



PCB MOUNTING HOLE  
(印刷電路板架設孔)

- NOTES: FINISH (PLATING THICKNESS IN MICRO-INCHES)
1. BRASS PER QQ-B-626
  2. GOLD PL. 3 MIN. THICK OVER NICKEL PL. 100 MIN. THICK OVER COPPER STRIKE
  3. BERYLLIUM COPPER PER QQ-C-530
  4. GOLD PL. 30 MIN. THICK OVER NICKEL PL. 100 MIN. THICK OVER COPPER STRIKE
  5. TEFLON MIL-P-19468



DIMENSIONS ARE IN MILLIMETERS				PART NO.	
UNLESS OTHERWISE SPECIFIED TOLERANCES				APPROVED <i>Mark C</i> DATE 09-17-99'	
0.5-6 = ±0.2				CHECKED <i>Mark C</i> DATE 09-17-99'	
6-30 = ±0.4				DRAWN <i>Betty L</i> DATE 09-17-99'	
30-120 = ±0.6					
120-315 = ±1					
315-1000 = ±1.6					
1000-2000 = ±2.4					

<b>Amphenol - Kai Jack</b>	
TAINAN TAINAN	
TITLE SMB P.C. MOUNT PLUG	
DRAWING NO. KJ-SMB6251B1-3GT30G-50	
FILE NO. F:\DWG\SMB\6251B1\50\3GT30G	

NO.	DESCRIPTION	MATERIAL	FINISH	Q'TY	DRAWING NO.
5	RETAINER RING	NOTE 3	NATURAL	1	SMB5000-6
4	CONTACT PIN	NOTE 3	NCTE 4	1	SMB5700-4-B
3	INSULATOR	NOTE 5	NATURAL	1	SMB5700-3T-50
2	BODY	NOTE 1	NOTE 2	1	SMB5700-2-A
1	SHELL	NOTE 1	NOTE 2	1	SMB5000-1

1 2 3 4 5 6 7 8

8SMB6251