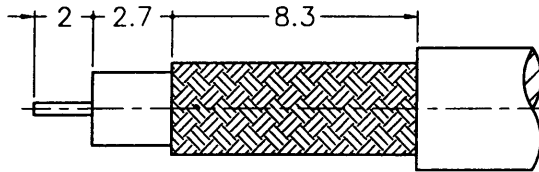
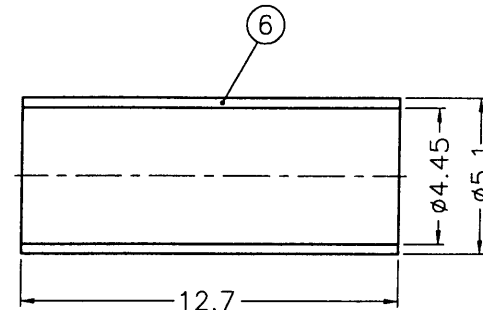
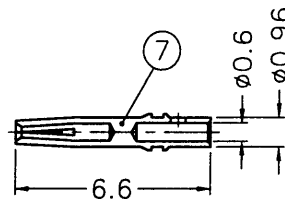
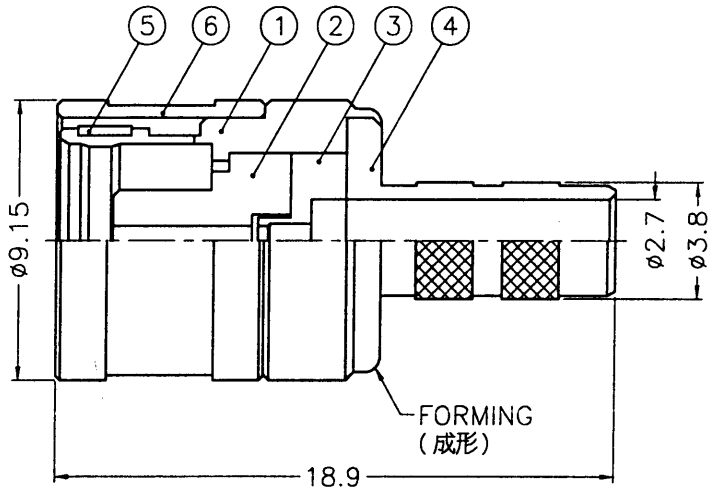


REVISIONS		
ISS	ZONE	DESCRIPTION\PER REQUEST\DATE



RECOMMENDED
CABLE STRIPPING DIM'S
(建議剝線尺寸)

SALES



FORMING
(成形)

NOTES: FINISH (PLATING THICKNESS IN MICRO-INCHES)

1. BRASS PER QQ-B-626
2. GOLD PL. 3 MIN. THICK OVER NICKEL PL. 100 MIN. THICK OVER COPPER STRIKE
3. BERYLLIUM COPPER PER QQ-C-530
4. GOLD PL. 30 MIN. THICK OVER NICKEL PL. 100 MIN. THICK OVER COPPER STRIKE
5. TEFLON MIL-P-19468
6. JIS H 3250, C 2600

ISSUED
2002. 2. 26
R&D

1. CRIMPED FERRULE
HEX. CRIMP SIZE .178"
2. CONTACT PIN TO SOLDER

NO.	DESCRIPTION	MATERIAL	FINISH	Q'TY	DRAWING NO.
8	FERRULE	NOTE 6	NOTE 2	1	FR-51/445X127
7	CONTACT PIN	NOTE 3	NOTE 4	1	SMB6121B2-5-096/06-D
6	SHELL	NOTE 1	NOTE 2	1	SMB5003-1-75
5	RETAINER RING	NOTE 3	NATURAL	1	SMB5003-8-75
4	BARREL	NOTE 1	NOTE 2	1	SMB6121A6-4-38/27
3	INSULATOR	NOTE 5	NATURAL	1	SMB6121A6-3T-8218
2	INSULATOR	NOTE 5	NATURAL	1	SMB6121A6-2T-75
1	BODY	NOTE 1	NOTE 2	1	SMB6121A6-1

DIMENSIONS ARE IN MILLIMETERS		PART NO.	
UNLESS OTHERWISE SPECIFIED TOLERANCES		APPROVED	DATE
0.5-6 = ±0.2		<i>Jacky</i>	02-21-02'
6-30 = ±0.4		CHECKED	DATE
30-120 = ±0.6		<i>Ken</i>	02-21-02'
120-315 = ±1		DRAWN	DATE
315-1000 = ±1.6		<i>Ken</i>	02-21-02'
1000-2000 = ±2.4		FILE NO.	F:\DWG\SMZ\6121A5\25C2V-75\3GT30G

Amphenol - Kai Jack	
TAINAN TAIWAN	
TITLE	SMZ CRIMP PLUG
DRAWING NO.	KJ-SMZ6121A5-3GT30G-2.5C2V-75
ITEM NO.	266111AAA27GE7F

7RD-DR 138958