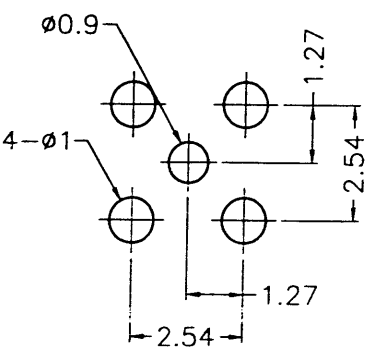


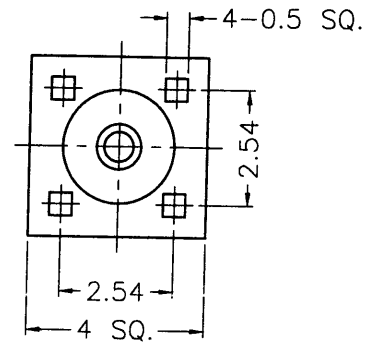
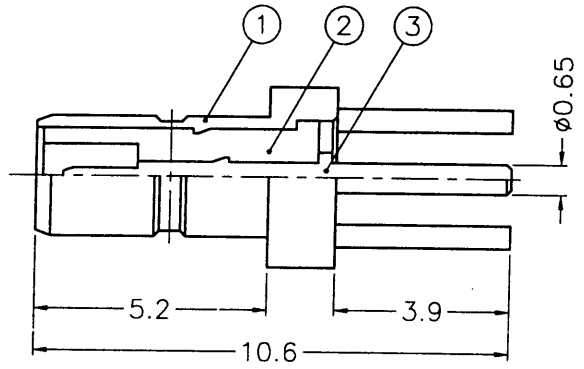
1 2 3 4 5 6 7 8

REVISIONS		
ISS	ZONE	DESCRIPTION\PER REQUEST\DATE

**SALES**



PCB MOUNTING HOLE  
(印刷电路板架設孔)



- NOTES: FINISH (PLATING THICKNESS IN MICRO-INCHES)
1. BRASS PER QQ-B-626
  2. GOLD PL. 3 MIN. THICK OVER NICKEL PL. 100 MIN. THICK OVER COPPER STRIKE
  3. GOLD PL. 30 MIN. THICK OVER NICKEL PL. 100 MIN. THICK OVER COPPER STRIKE
  4. TEFLON MIL-P-19468

ISSUED  
2002. 2. 20  
R&D

DIMENSIONS ARE IN MILLIMETERS			PART NO.		
UNLESS OTHERWISE SPECIFIED TOLERANCES			APPROVED	DATE	
0.5-6 = ±0.2			<i>Loael</i>	02-19-02'	
6-30 = ±0.4			CHECKED	DATE	
30-120 = ±0.6			<i>Loael</i>	02-19-02'	
120-315 = ±1			DRAWN	DATE	
315-1000 = ±1.6			<i>Jey</i>	02-19-02'	
1000-2000 = ±2.4					
SCALE	6/1	ISSUE	A	FILE NO.	F:\DWG\SSMB\1251Q1\50\3GT30G

<b>Amphenol - Kai Jack</b>	
TAINAN TAIWAN	
TITLE	
SSMB P.C. MOUNT JACK	
DRAWING NO.	
KJ-SSMB1251Q1-3GT30G-50	
ITEM NO.	
151251AAA02GE5F	

NO.	DESCRIPTION	MATERIAL	FINISH	Q'TY	DRAWING NO.
3	CONTACT PIN	NOTE 1	NOTE 3	1	CP15AAE01A
2	INSULATOR	NOTE 4	NATURAL	1	NS15AAE01A
1	BODY	NOTE 1	NOTE 2	1	BD15AAE01A

7RD-DR 1/228 R